



INSTRUCTION MANUAL
& REFERENCE GUIDE



Welcome to Serpent

You are now part of the worldwide network of Serpent drivers, which gives you superior technical support and access to many benefits that only Serpent drivers can enjoy.

The Serpent Spyder offers state of the art specifications and leads the way in 1/10 buggy design, using all the knowledge we have gathered since 1980. Continuously pushing the performance envelope, Serpent's engineers have added many new and innovative features that can help take your Serpent Spyder into the winner's circle.

INSTRUCTIONS

Serpent's long tradition of excellence extends to their instruction manuals, and this instruction manual is no exception. The easy-to-follow layout is richly illustrated with 3D-rendered full-color images to make your building experience quick and easy. A default set-up sheet is added to have a good base set-up. Following the instructions will result in a well-built, high-performance racecar that will soon be able to unleash its full potential at the racetrack.

This instruction manual has been divided into sections that will logically lead you through the assembly process of your Serpent Spyder. Follow the assembly steps in the order presented to ensure that no problems occur during assembly. Each step indicates all the fasteners and small

parts used. Bag numbers identify the kit bag(s) that contains the appropriate parts.

EXPLODED VIEWS AND PARTS LIST

In the back of this manual it is possible to find the exploded views for the Serpent Spyder. These exploded views show the standard parts of a particular assembly step along with the Serpent part number.

The parts list include the optionals, hardware and merchandising. It indicates the part number and name of each part for easy reference when ordering.

A full partslist in excel can be downloaded from the car-page on www.serpent.com.

Below you will find some information on safety; read those well before using the car. Also some info on how to use the manual best.

The worldwide network of Serpent drivers, dealers and distributors will help you to get the maximum out of your Serpent Spyder.

Join the free Serpent forum for support, use our social media like Twitter and Facebook to follow all info and meet other Serpent drivers, watch the Serpent Youtube channel for video's, the Serpent Teamblog for racereports around the globe and the Serpent website for all other info and news.

Enjoy racing !

Team Serpent

SAFETY

Read and take note of the 'Read this First section' before proceeding to assemble the car-kit. This car-kit is intended for persons aged 16 or older.

CUSTOMER SERVICE

Serpent has made a strong effort to make this manual as complete and clear as possible.

Additional info may be published in our website: www.serpent.com or you may ask your dealer or the Serpent distributor for advice, or email Serpent direct: info@serpent.com

The Serpent Facebook, Twitter and Youtube pages give additional means of support and communications.

INSTRUCTIONS, HOW TO USE

The kit includes bags, with bag numbers, which refer to the same step in the manual. Open only the indicated bag(s) per step and finish that part of the assembly.

Remaining parts will be needed later on in the assembly process.

SETUP

In many assembly steps you mount specific parts that suit the default set-up. We advice to keep the separate default set-up sheet alongside the manual, during all assembly.

Other finetuning of the set-up, must be done at the track.

CONTENTS

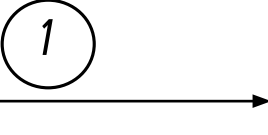







FRONT DIFFERENTIAL ASSEMBLY	4
REAR DIFFERENTIAL ASSEMBLY	5
REAR TRANSMISSION ASSEMBLY	6
MID TRANSMISSION ASSEMBLY	7
REAR ASSEMBLY	11
FRONT ASSEMBLY	14
SHOCKS ASSEMBLY	19
FINAL ASSEMBLY	23
REFERENCE GUIDE	25
OPTIONALS AND MERCHANDISING	32

Read this first!

- This is a highly technical hobby product, intended to be used in a safe racing environment. This car is capable of speeds in excess of 80 km/h or 50mph. Please follow these guidelines when building and operating this model.
- Parental guidance is required when the builder/user of this car is under 16.
- Follow the building instructions. If in doubt, contact your dealer or importer.
- Be sure to use the proper tools when assembling the car. Always exercise caution when using electric tools, knives and other sharp objects.
- Be careful when using liquids like lubrication oil, fuel or glue. Do not swallow.
- Follow the manufacturer's instruction in case you experience irritation after using the product.
- Be careful when operating the car. Stay away from any rotating parts such as wheels, gears and transmission. Stay away from motor, engine and exhaust pipe system or speedo during and immediately after use, as these parts may be very hot. We advise to use protective hand clothes.
- Only operate this car in a safe environment, like a special racing track or a closed parking lot. Avoid using this car on public roads, crowded places or near infants.
- Before operating this car, always check the mechanical status of the car. Also check that the transmitter and receiver frequencies correspond and are not used by any other racer at the same time. Check that the batteries of the transmitter and receiver are fully charged.
- After use, always check all the mechanics of the car. We advise to clean the car immediately after use, and inspect the parts for wear or fractures. Replace when necessary. Do not use water, methanol, thinner or other solvents to clean the car.
- Empty the fuel tank (depending on model) if needed and disconnect the receiver battery.
- Store the car in a dry and heated place to avoid corrosion of metal parts.
- Avoid using this car in wet conditions as the water will cause corrosion on the metal parts and bearings and these parts will cease to function properly. If driven in the wet, ensure that all the electric equipment is waterproofed and after use, that all moving parts are dried immediately.

USING THE MANUAL

Each step contains a variety of numbers, lines, and symbols. The numbers represent the order in which the parts should be assembled. The lines and symbols are described below.

	Step number; the order in which you should assemble the indicated parts
	Length after assembly
	Assembly path of one item into another
	Group of items (within lines) should be assembled first
	Direction the item should be moved
	Glue one item to another
	Press/Insert one item into another
	Connect one item to another
	Gap between two items



Apply graphite grease (Grey),



Apply threadlock (Blue),



Apply silicone grease (Orange),

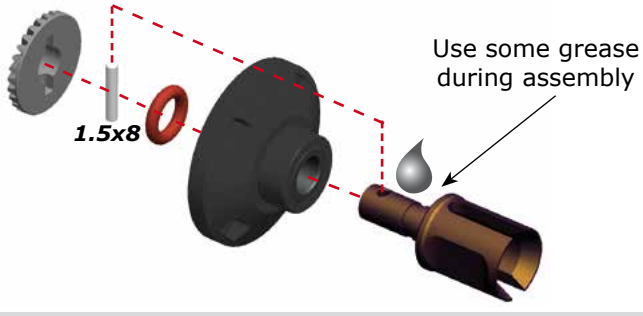


Apply silicone oil,

FRONT DIFFERENTIAL ASSEMBLY

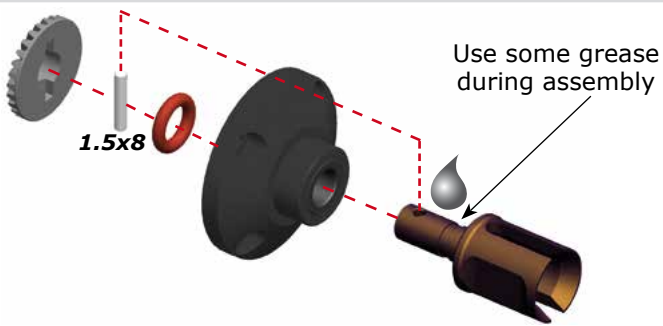
STEP 1

BAG FRONT DIFF



NOTE:
In step 5 & 6 to mount the pin, first put the pin in the purpose made slot as shown, and after slide it through the hole in the shaft.

STEP 2



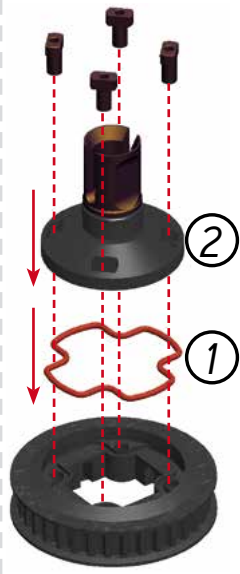
STEP 3

3.1

NOTE:
1) The flange should be glued with CA to the diff gear.
2) The gear is NOT symmetrical. The side with the larger 4 holes must face upward in step 3.2.



3.2

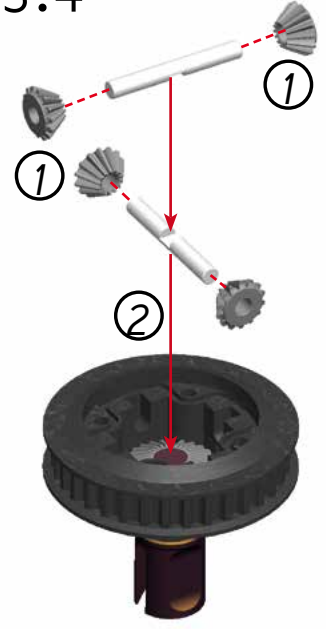


3.3

NOTE:
Add just enough oil to cover the large gear before assembling the small satellite gears and cross pins (step 3.3).



3.4



STEP 4

4.1

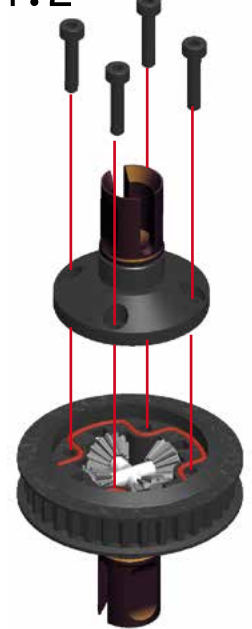
NOTE:
1) Assemble the o-ring before adding the oil.
2) Add oil so the cross pins are just covered (DO NOT overfill).



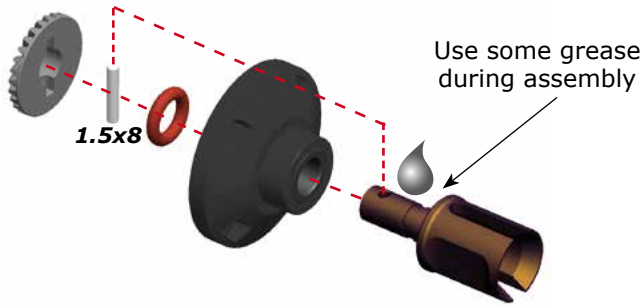
NOTE:
The diff assembled as shown here, should weigh max 19.15 grams with oil inside.

4.2

M2x10

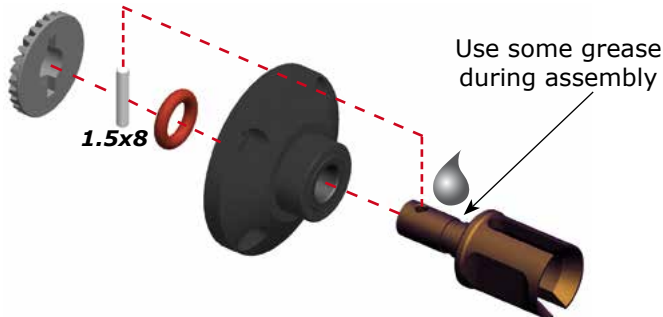


REAR DIFFERENTIAL ASSEMBLY



NOTE:

In step 5 & 6 to mount the pin, first put the pin in the purpose made slot as shown, and after slide it through the hole in the shaft.

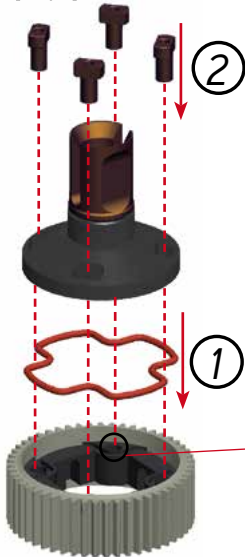


STEP
5

BAG
REAR
DIFF

STEP
6

7.1



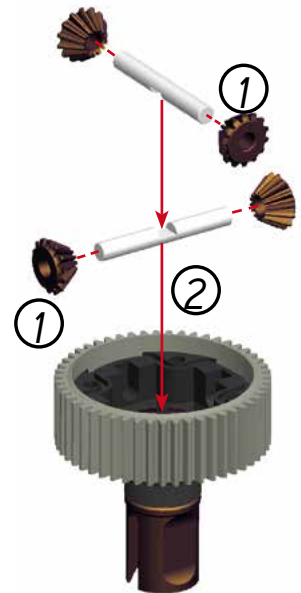
NOTE:
The gear is NOT symmetrical. The side with the larger 4 holes must face upward in step 3.1.

7.2

NOTE:
Add just enough oil to cover the large gear before assembling the small satellite gears and cross pins (step 7.3).



7.3

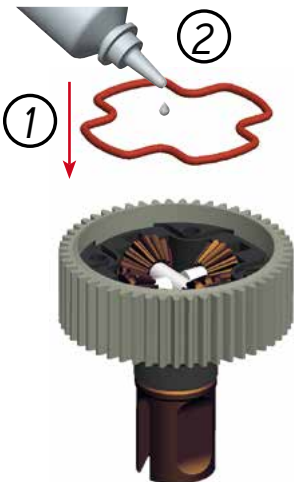


STEP
7

8.1

NOTE:

1) Assemble the o-ring before adding the oil.
2) Add oil so the cross pins are just covered (DO NOT overfill).

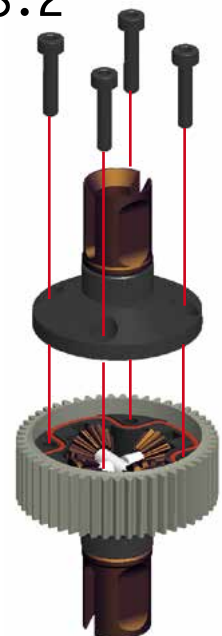


NOTE:
The diff assembled as shown here, should weigh max 19.0 grams with oil inside.



8.2

M2x10



STEP
8

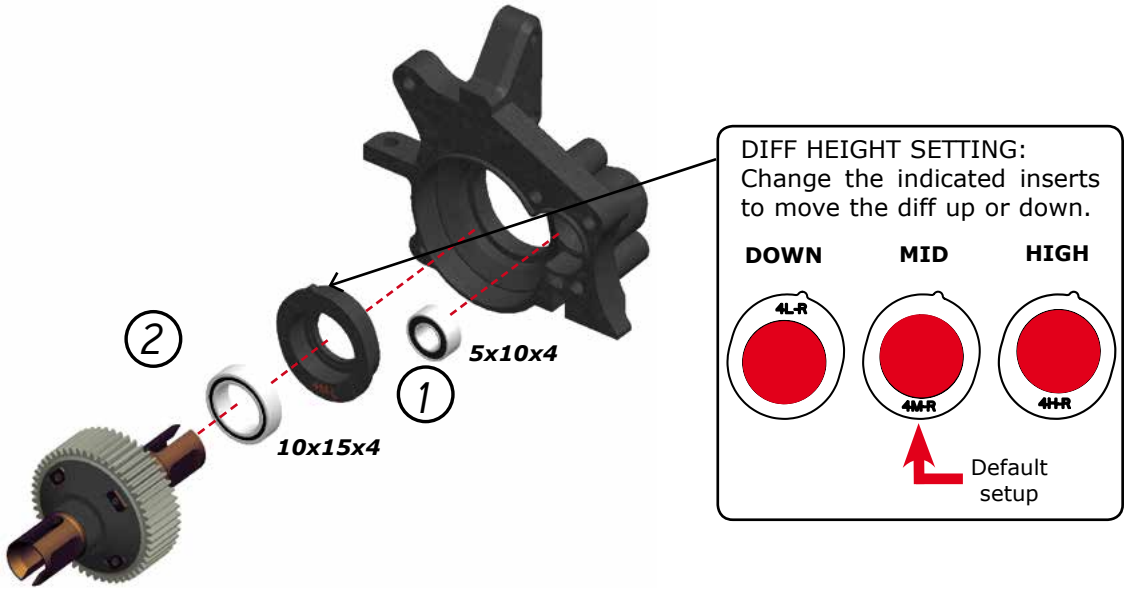
REAR TRANSMISSION ASSEMBLY

STEP

9

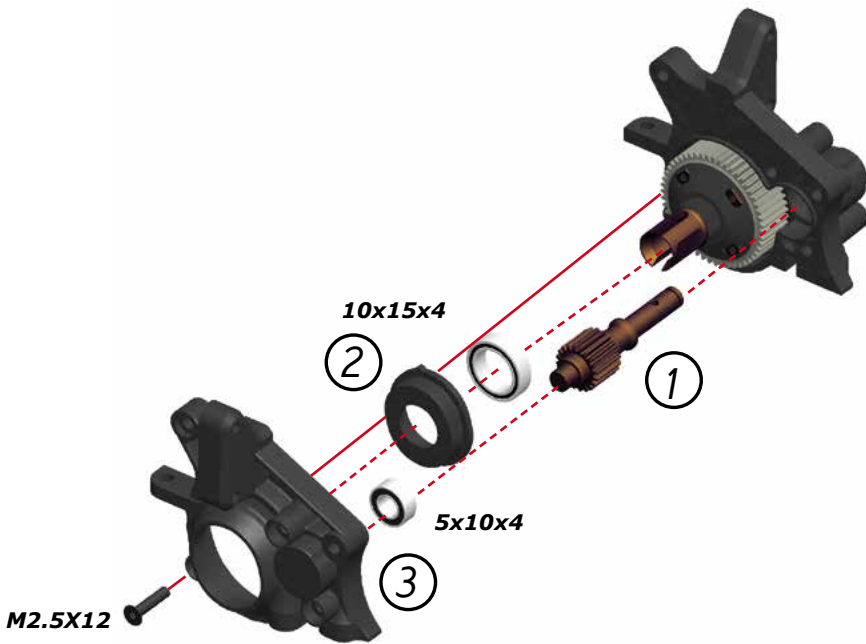
Bag

1



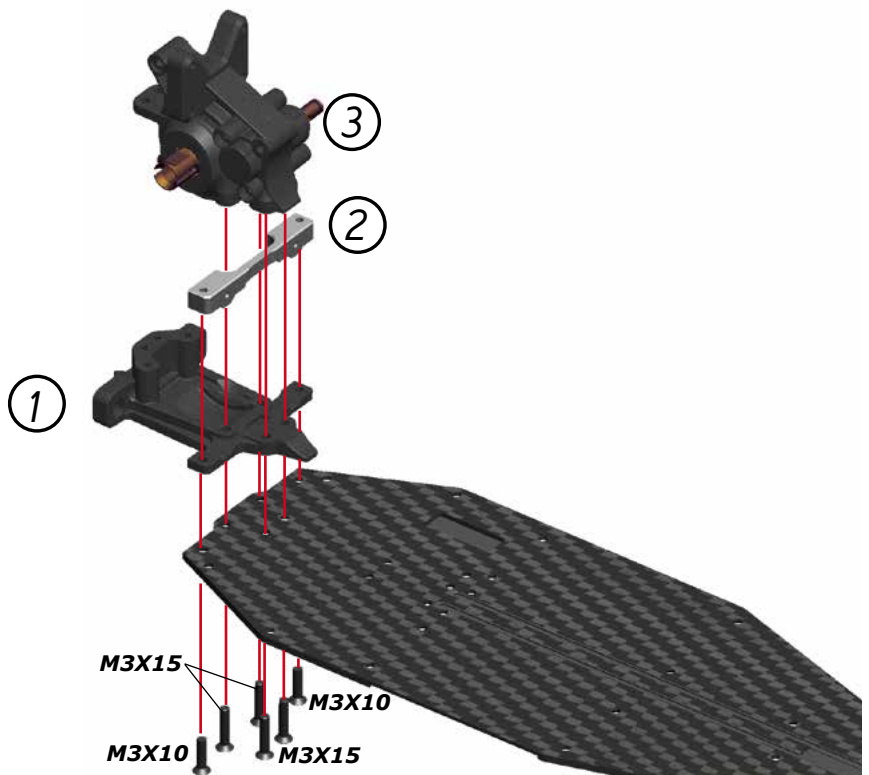
STEP

10



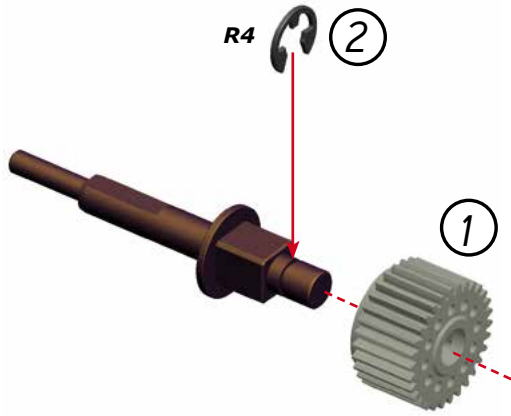
STEP

11



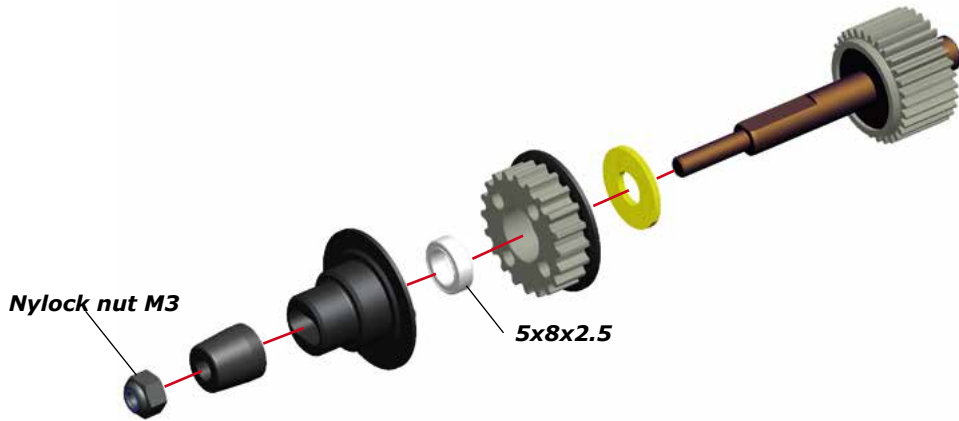
MID TRANSMISSION ASSEMBLY

STEP
12

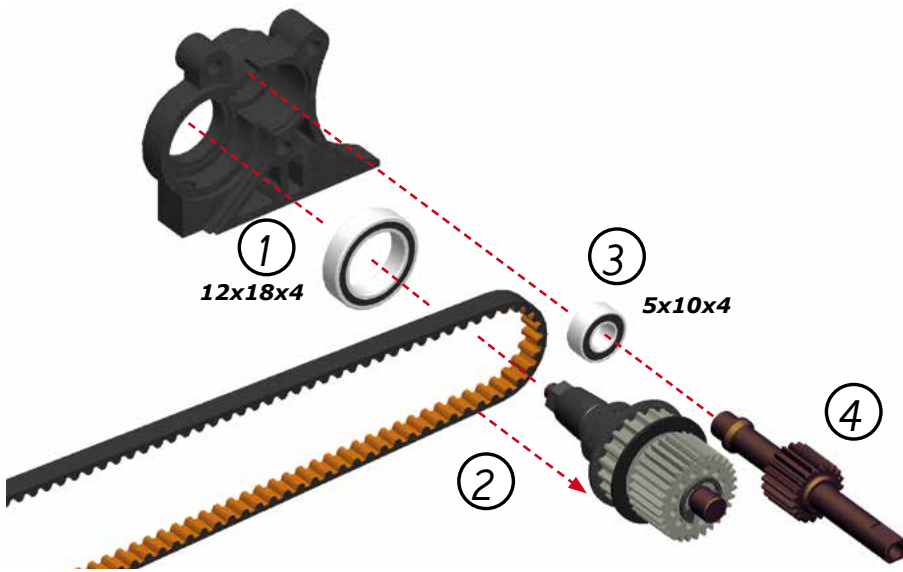


Bag
2

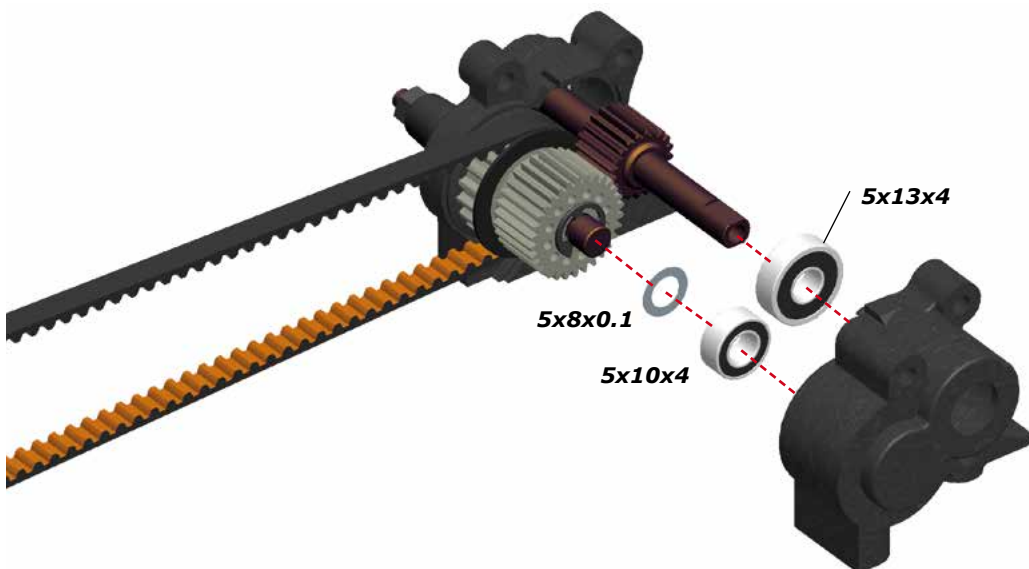
STEP
13



STEP
14



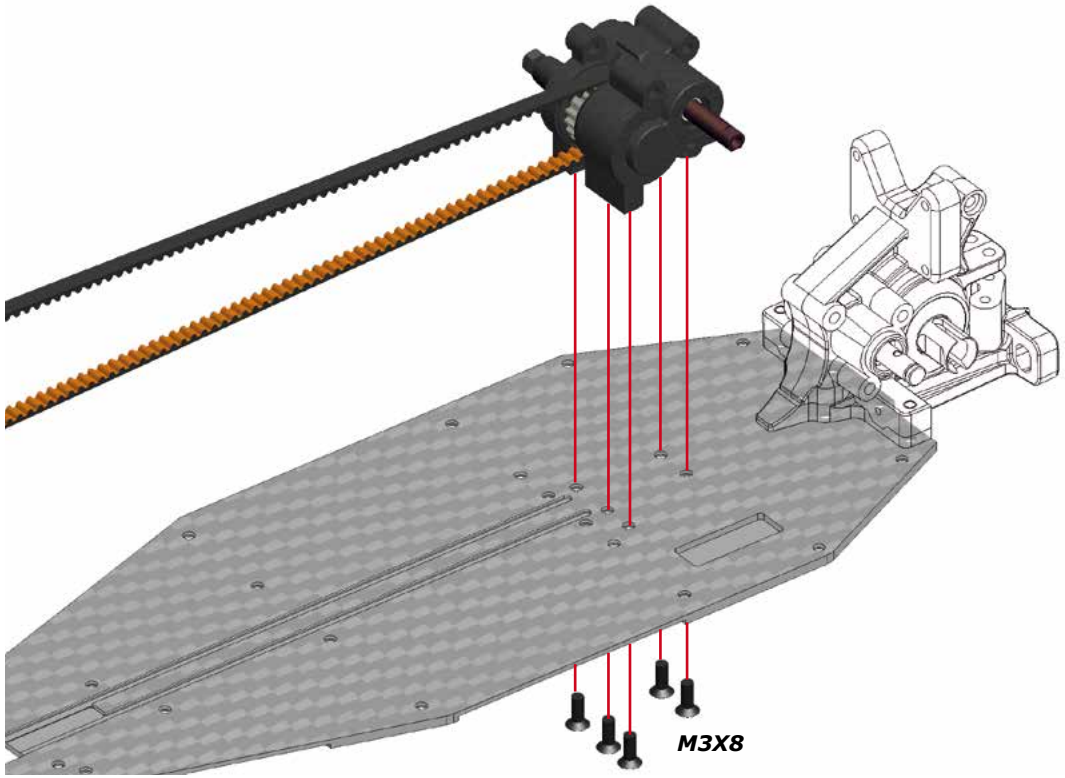
STEP
15



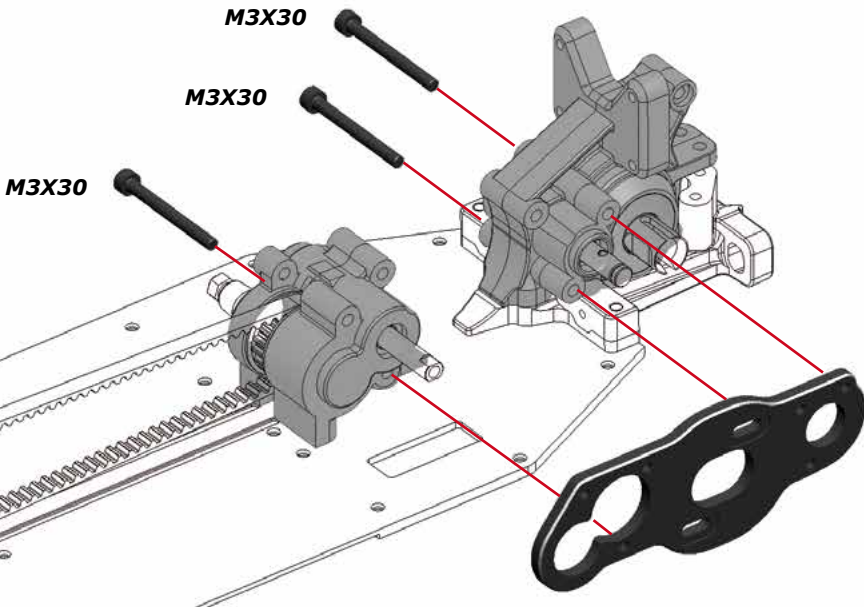
Serpent

Page
7

STEP
16

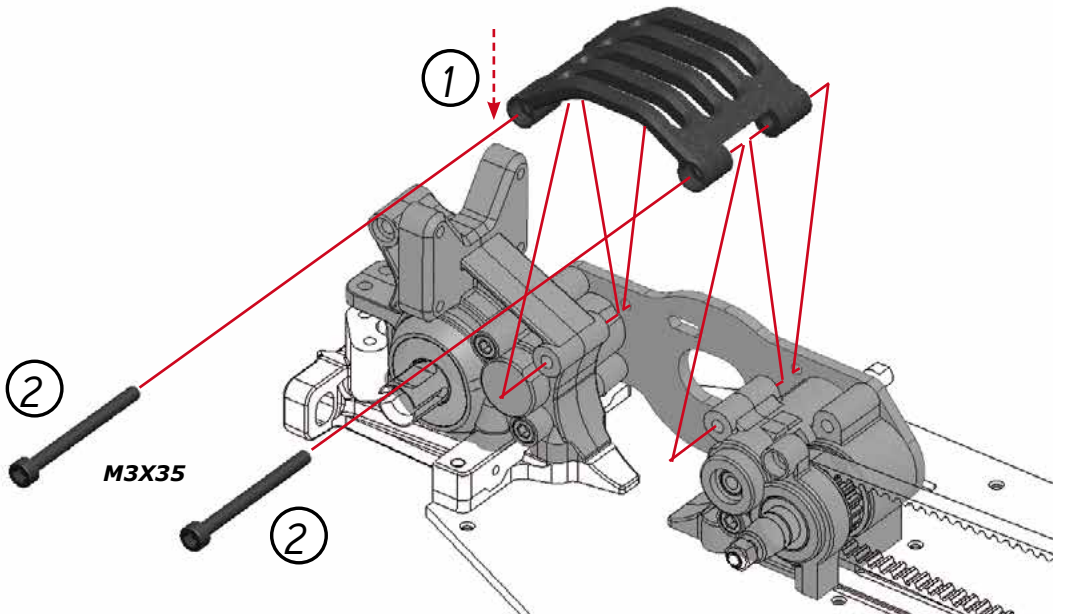


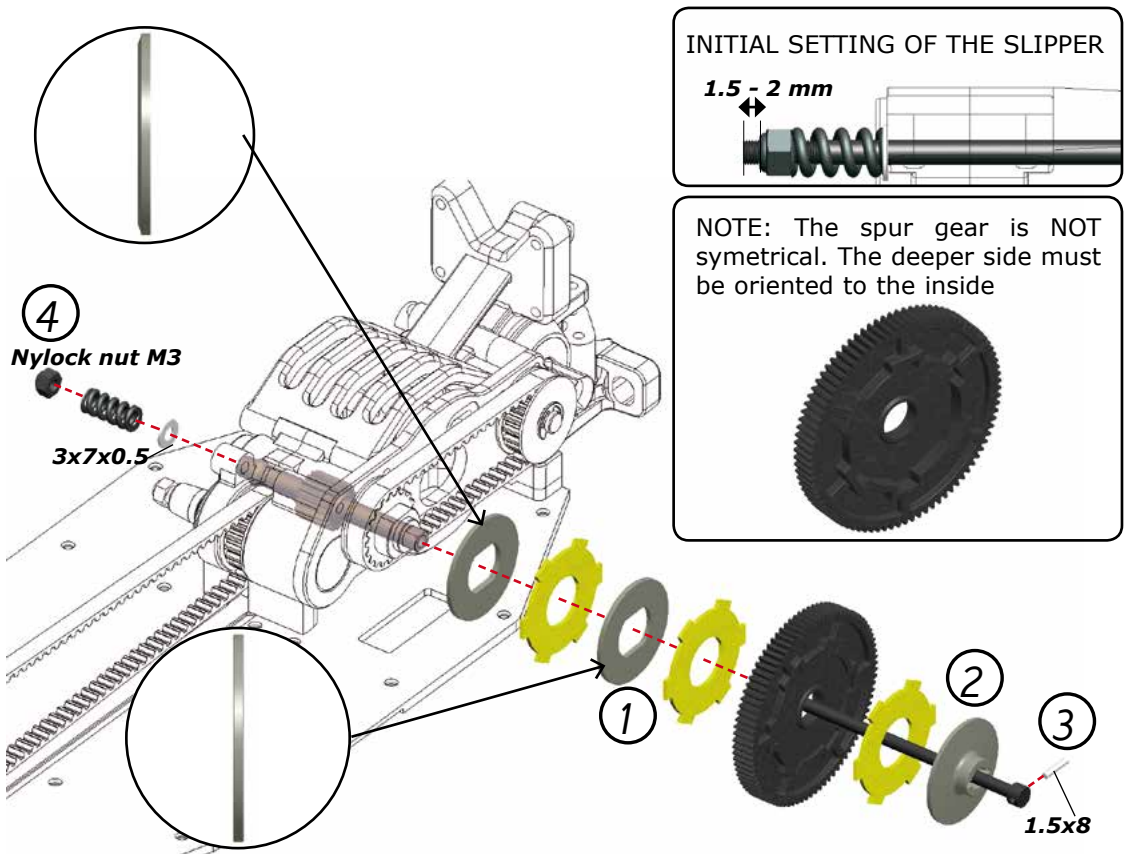
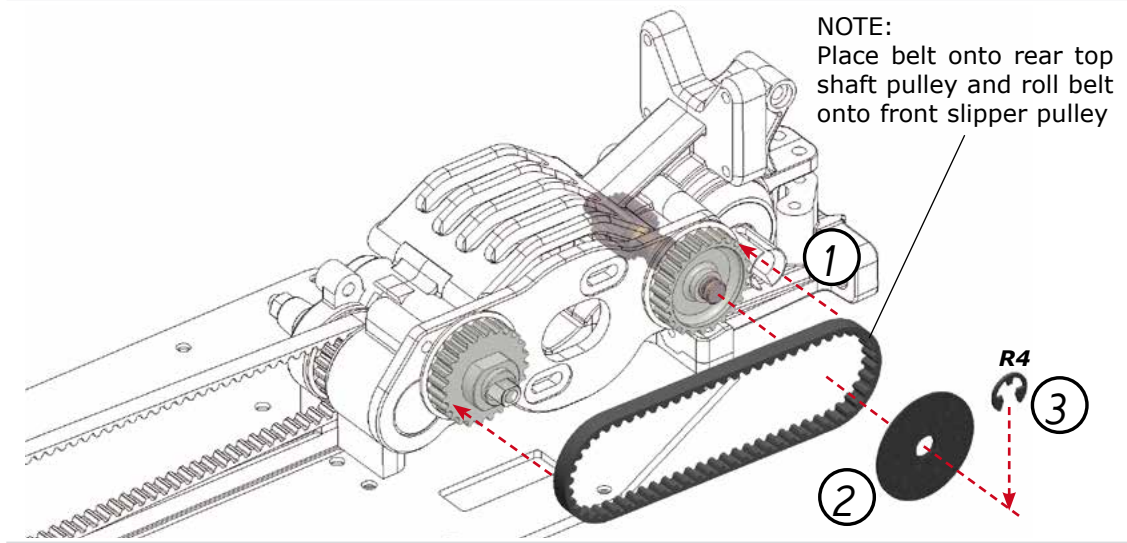
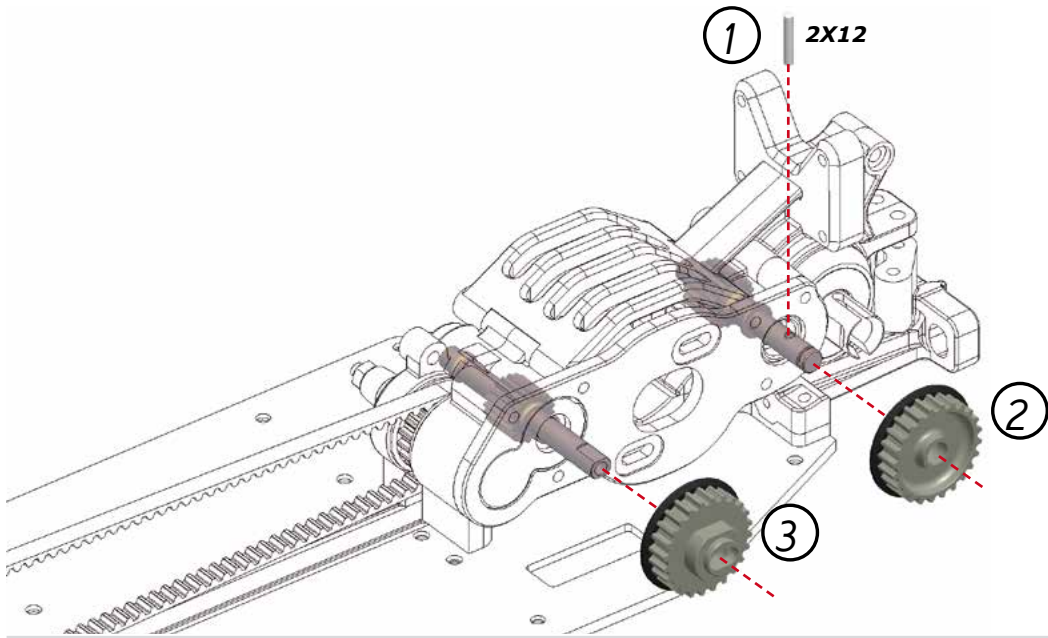
STEP
17

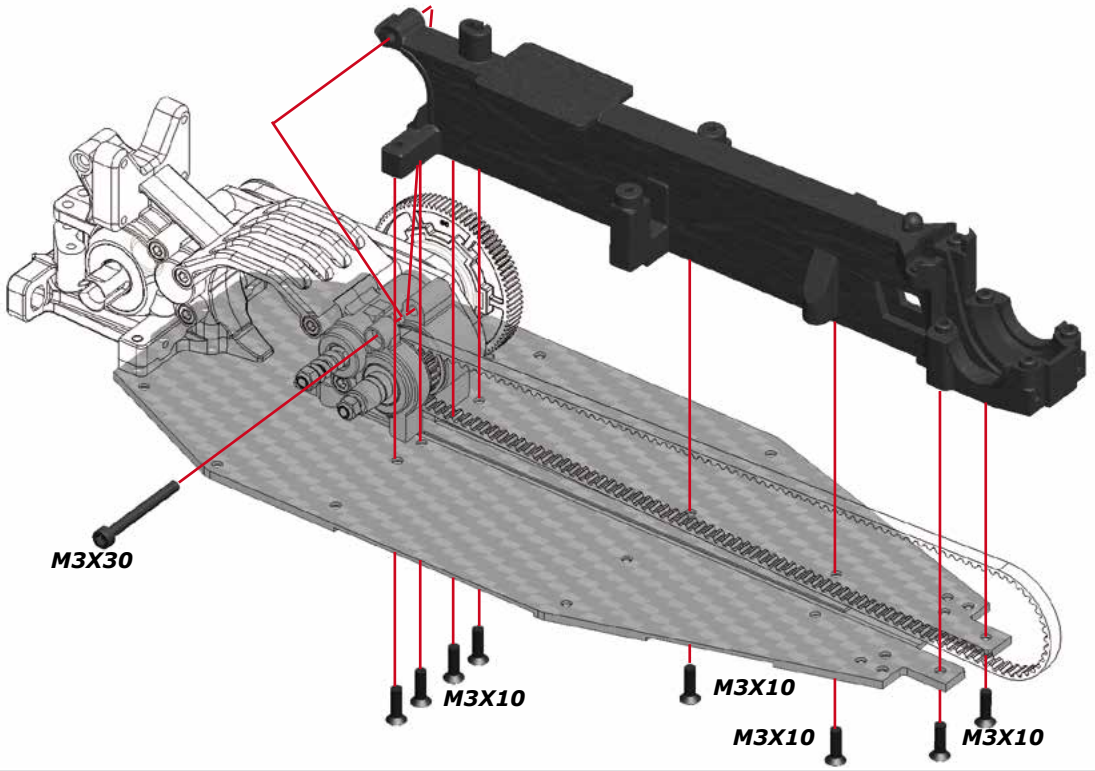


Bag
3

STEP
18

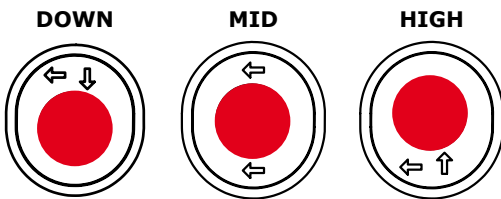




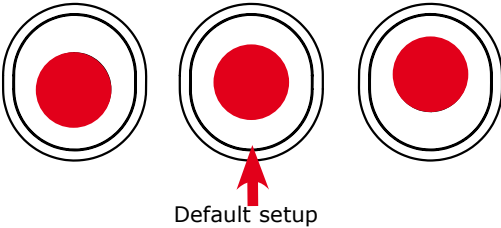


DIFF HEIGHT AND BELT TENSION SETTING:
Change the indicated inserts to move the diff up or down and to tighten / loosen the front belt tension. **Inner part of right insert** is shown below pictures.

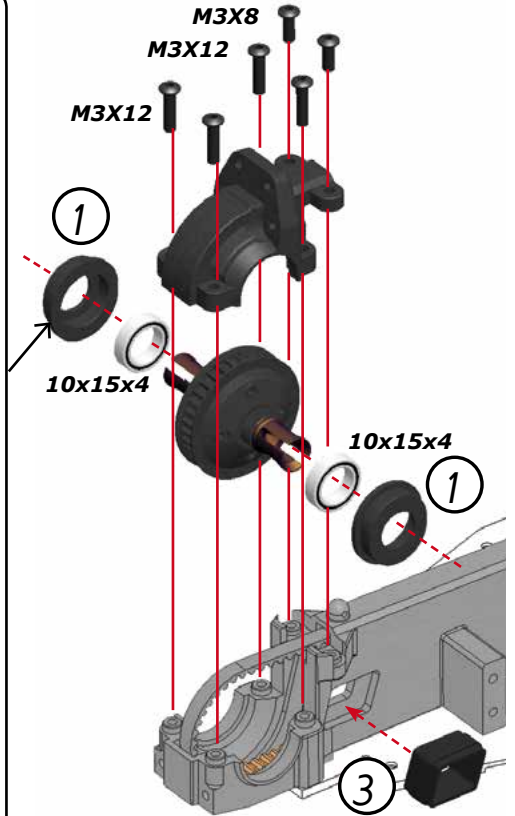
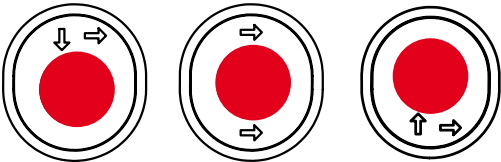
TIGHTER BELT CONFIGURATION



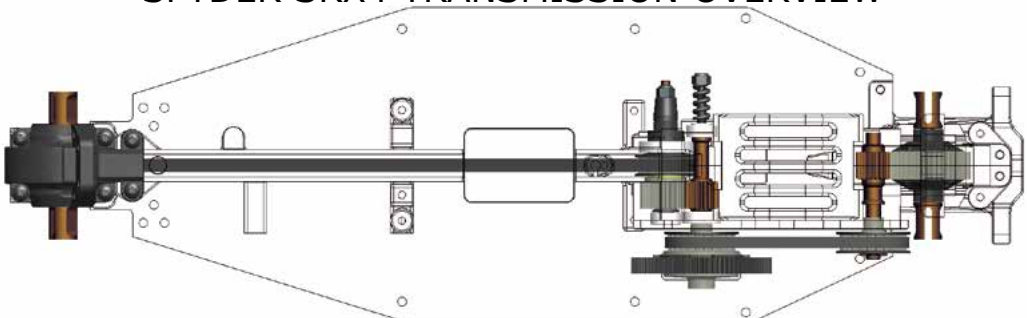
MID BELT CONFIGURATION



LOOSER BELT CONFIGURATION



SPYDER SRX4 TRANSMISSION OVERVIEW



REAR ASSEMBLY

STEP
24

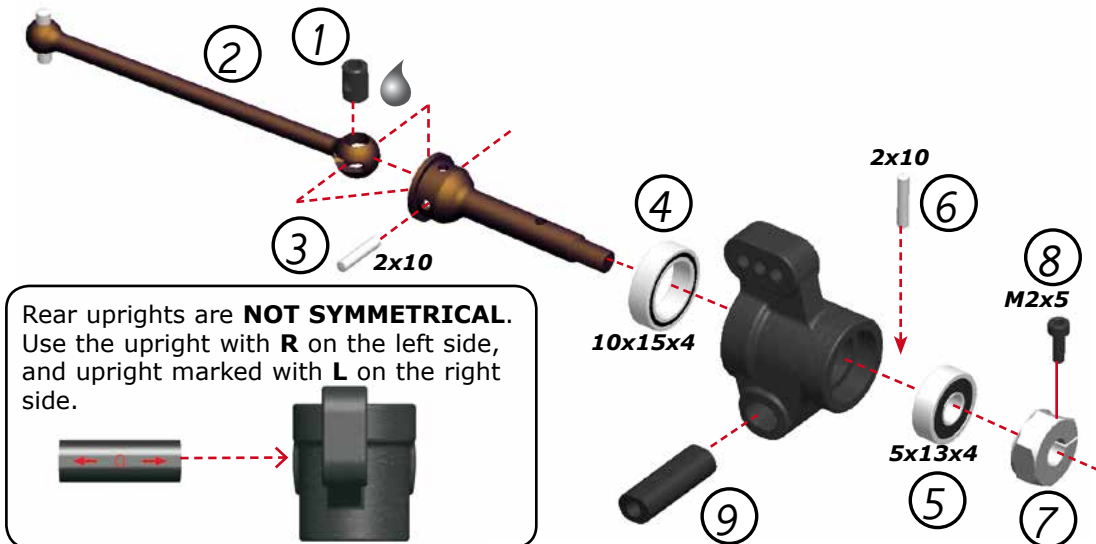
Bag
4

STEP
25

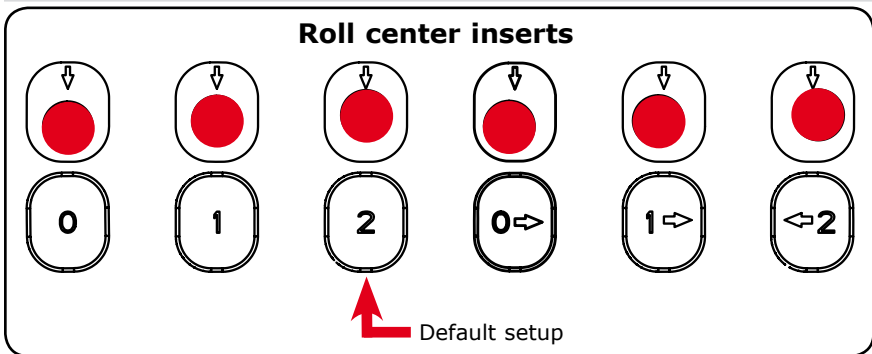
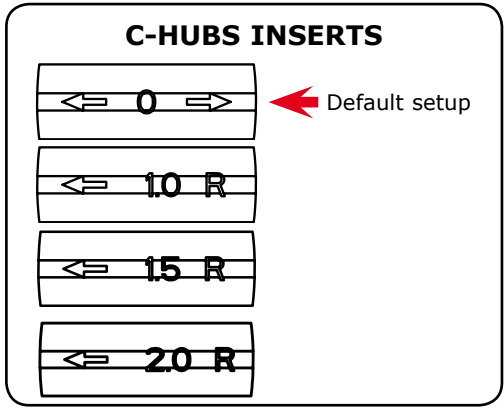
STEP
26

Serpent

Page
11

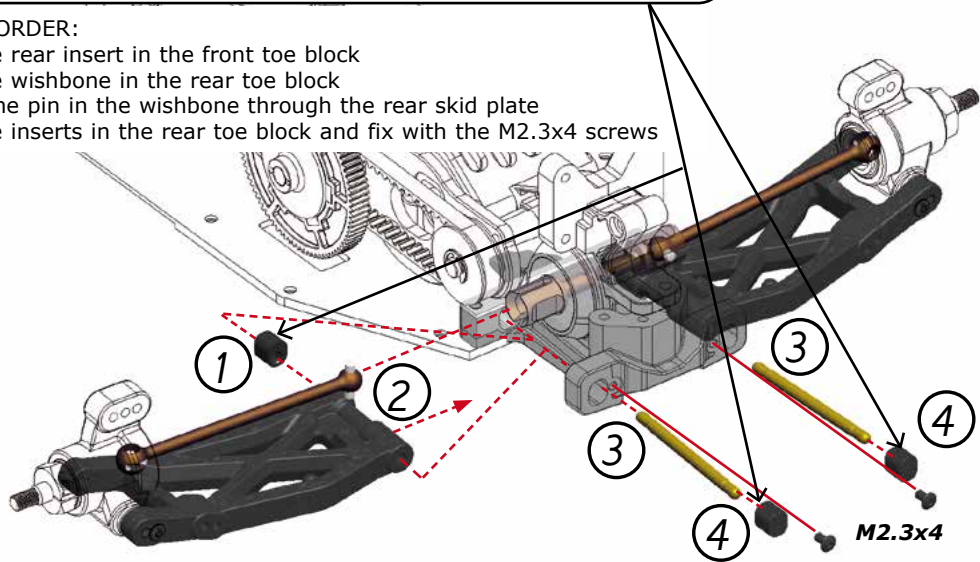


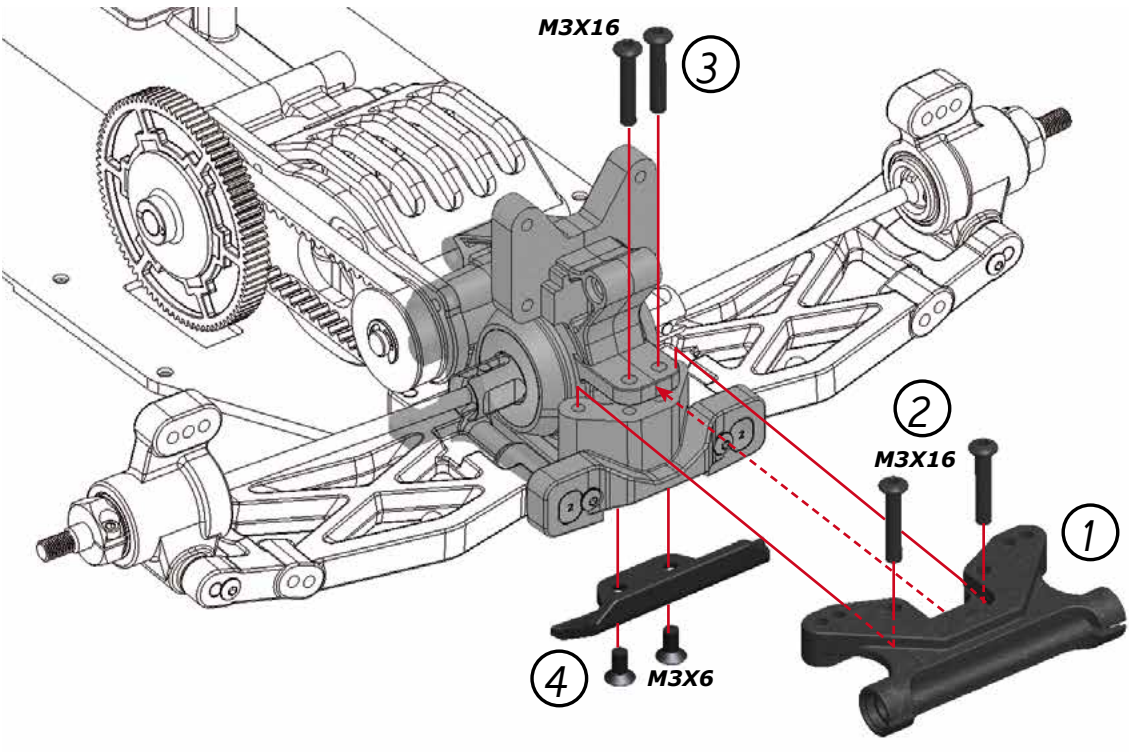
Rear uprights are **NOT SYMMETRICAL**. Use the upright with **R** on the left side, and upright marked with **L** on the right side.



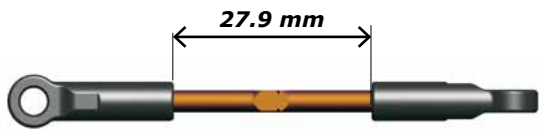
ASSEMBLY ORDER:

- 1) Place the rear insert in the front toe block
- 2) Place the wishbone in the rear toe block
- 3) Insert the pin in the wishbone through the rear skid plate
- 4) Place the inserts in the rear toe block and fix with the M2.3x4 screws



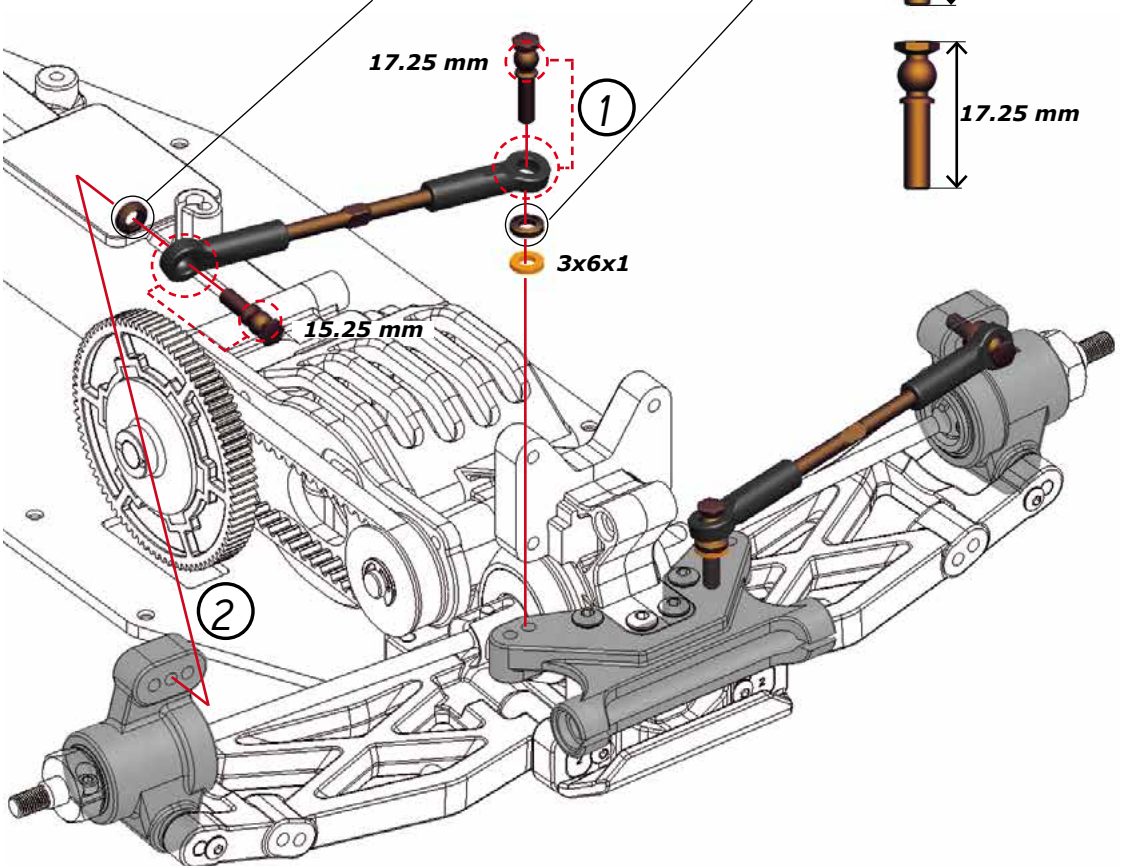
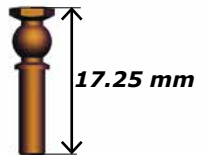
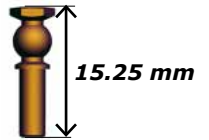
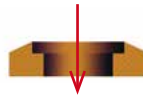


28.1



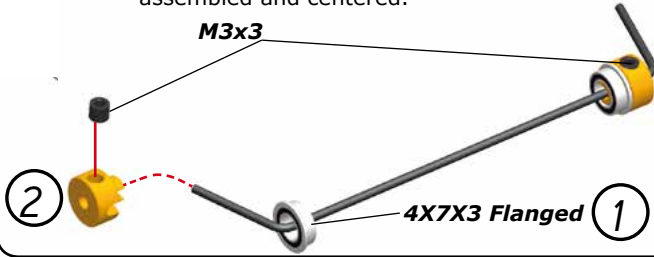
28.2

NOTE:
Make sure to assemble the ballstud
through the conical shim in the
direction indicated by the red arrow.

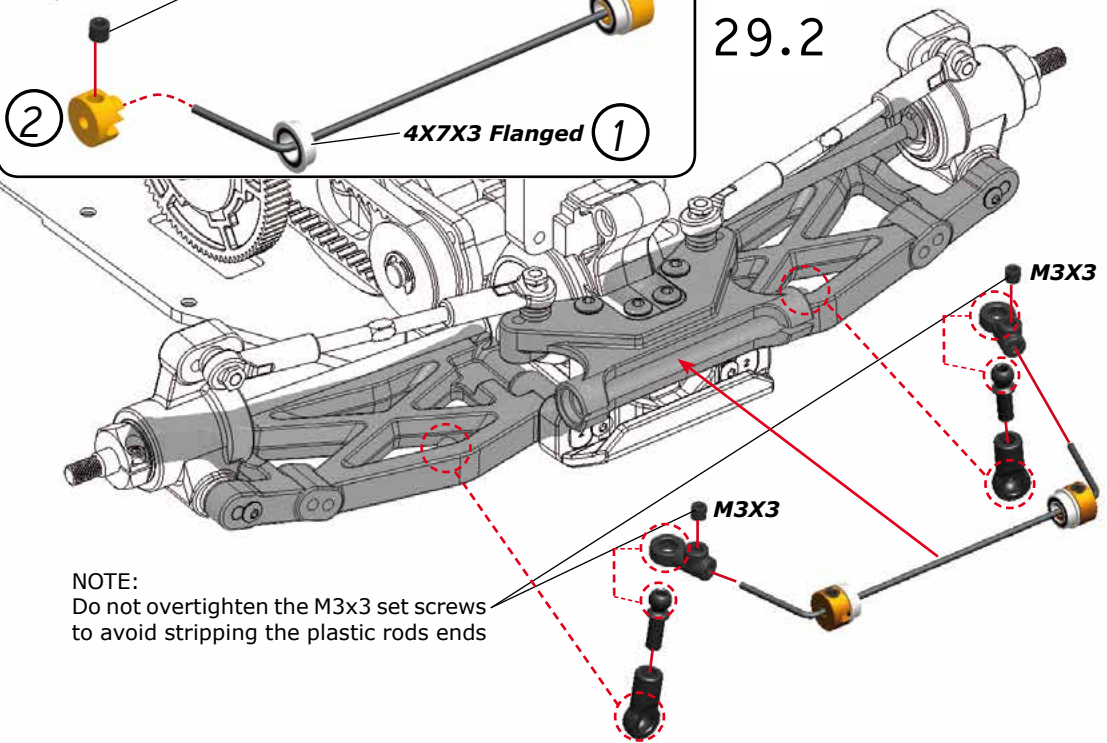


29.1

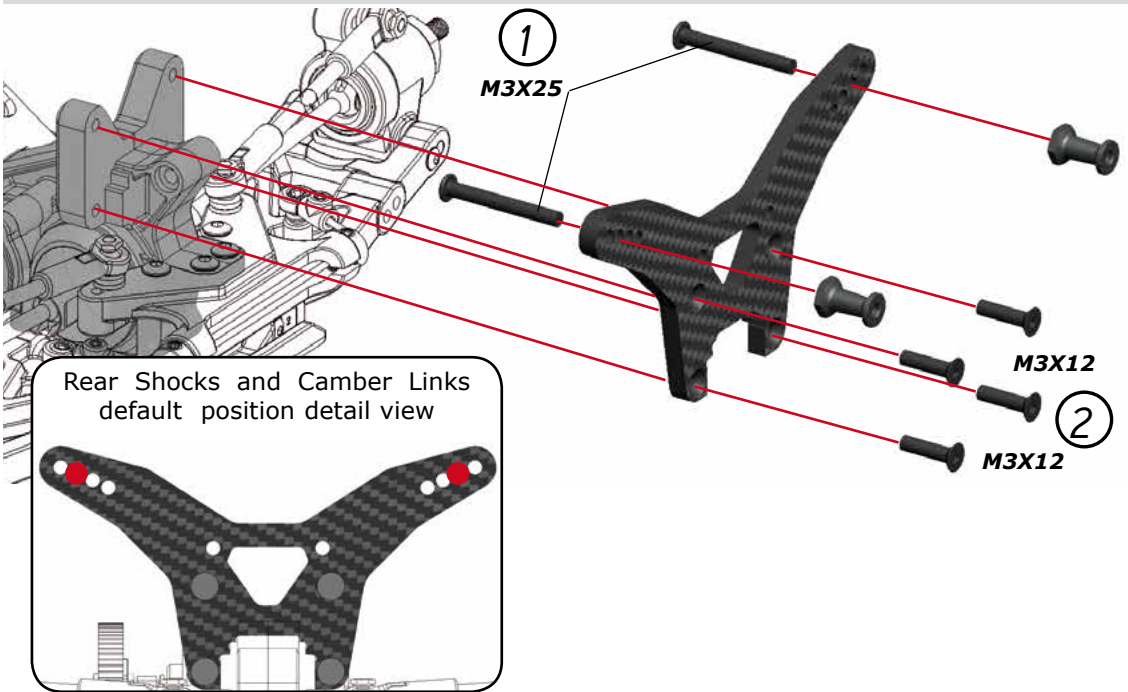
NOTE: Do not tighten the M3x3 set screws yet. They have to be tighten once the anti-roll bar is assembled and centered.



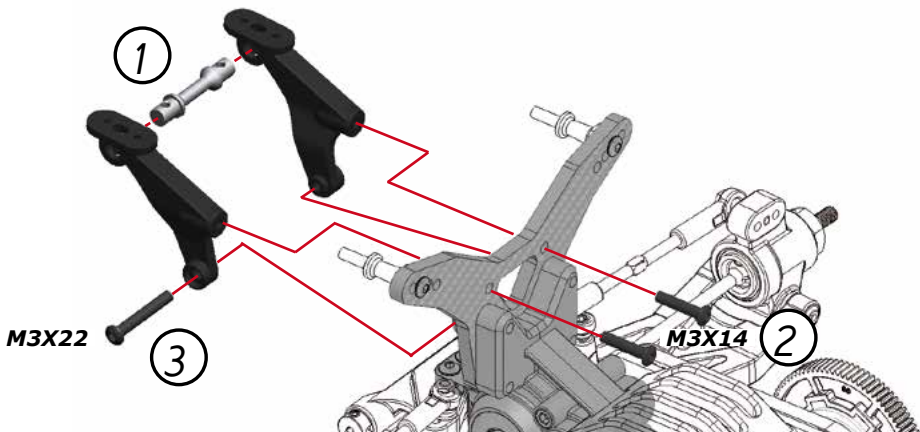
29.2



NOTE: Do not overtighten the M3x3 set screws to avoid stripping the plastic rods ends



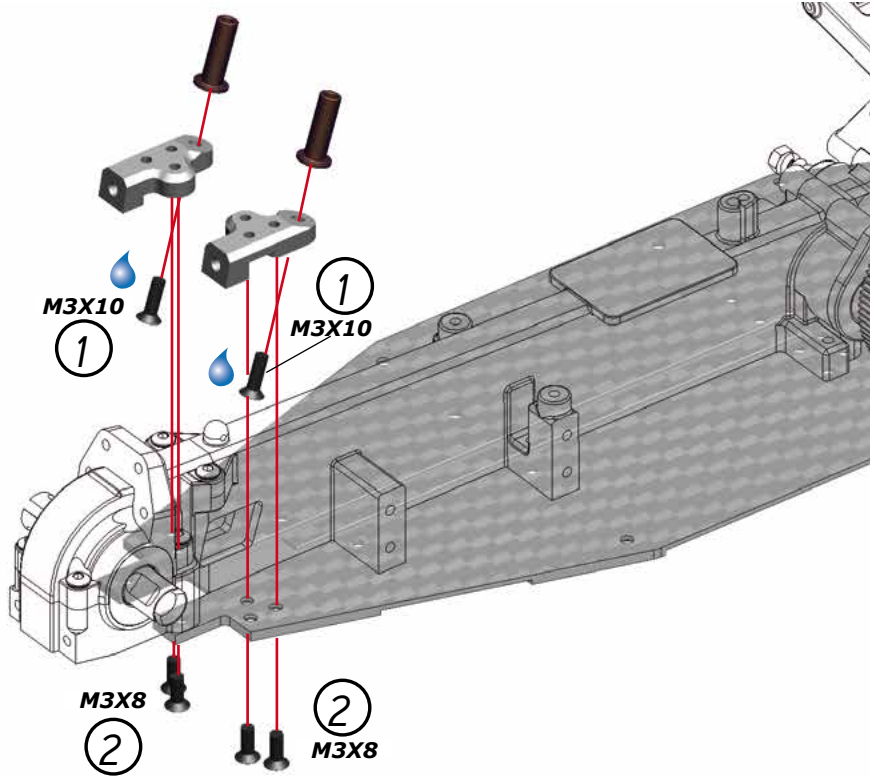
Rear Shocks and Camber Links default position detail view



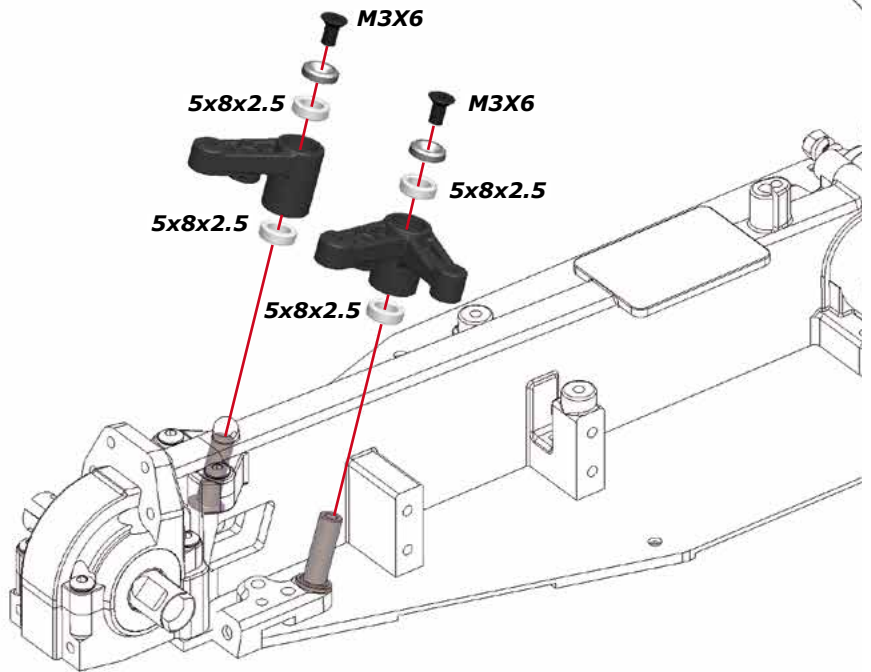
FRONT ASSEMBLY

STEP
32

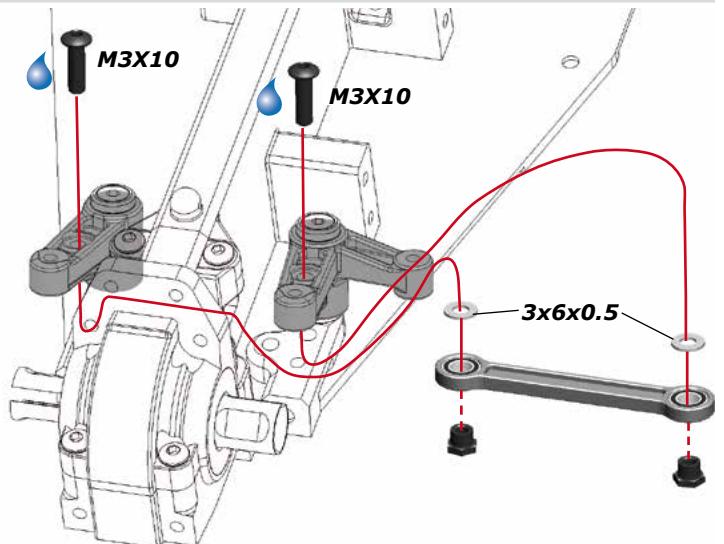
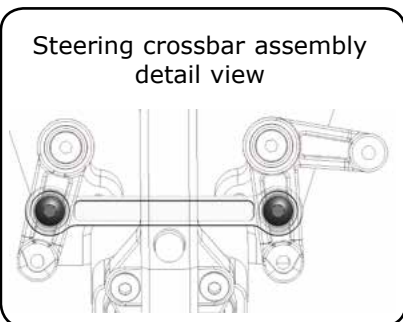
Bag
6

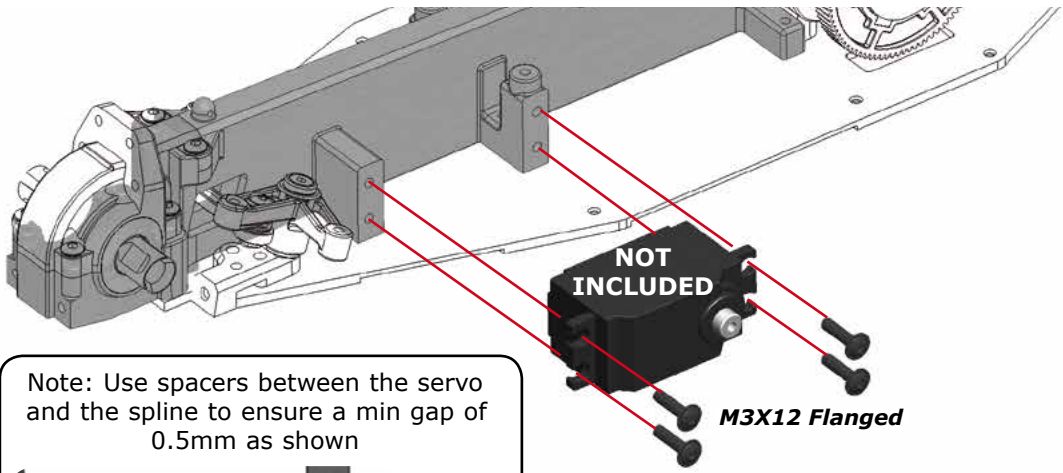


STEP
33

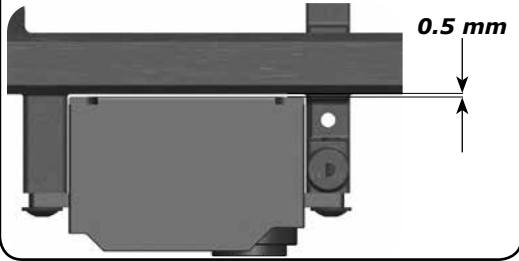


STEP
34



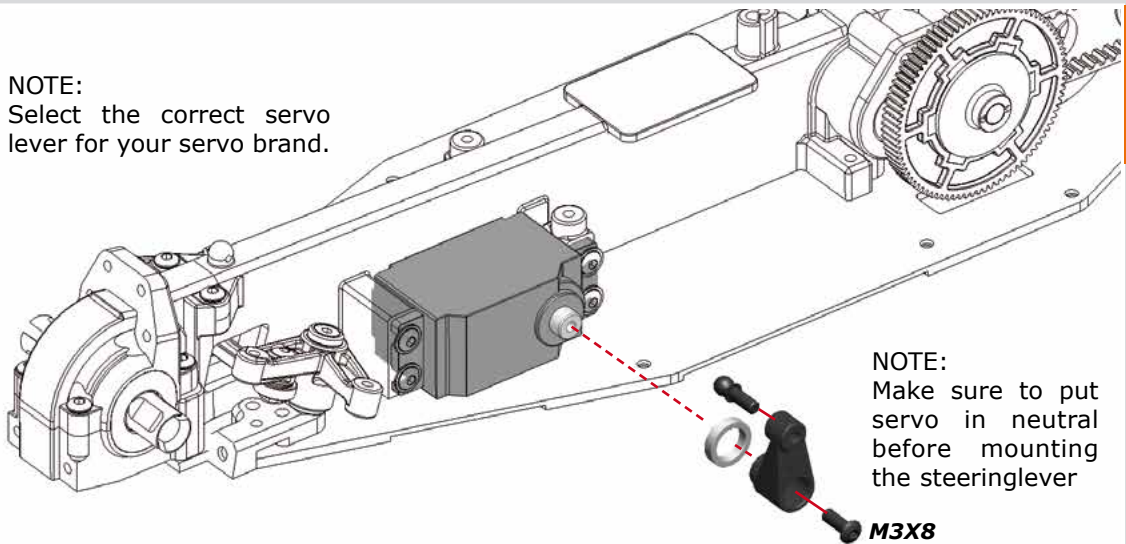


Note: Use spacers between the servo and the spline to ensure a min gap of 0.5mm as shown



M3X12 Flanged

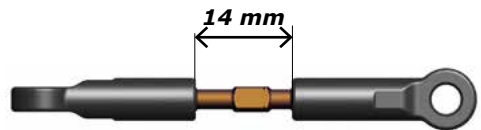
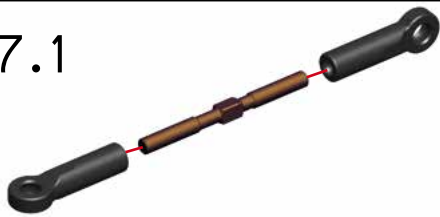
NOTE:
Select the correct servo lever for your servo brand.



NOTE:
Make sure to put servo in neutral before mounting the steering lever

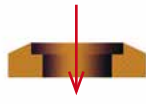
M3X8

37.1

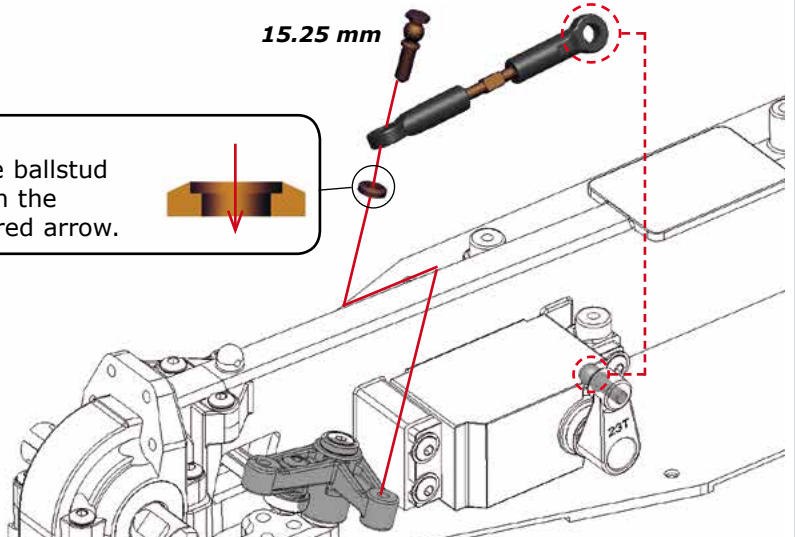
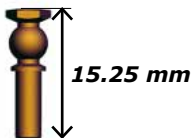


37.2

NOTE:
Make sure to assemble the ballstud through the conical shim in the direction indicated by the red arrow.



15.25 mm



38.1



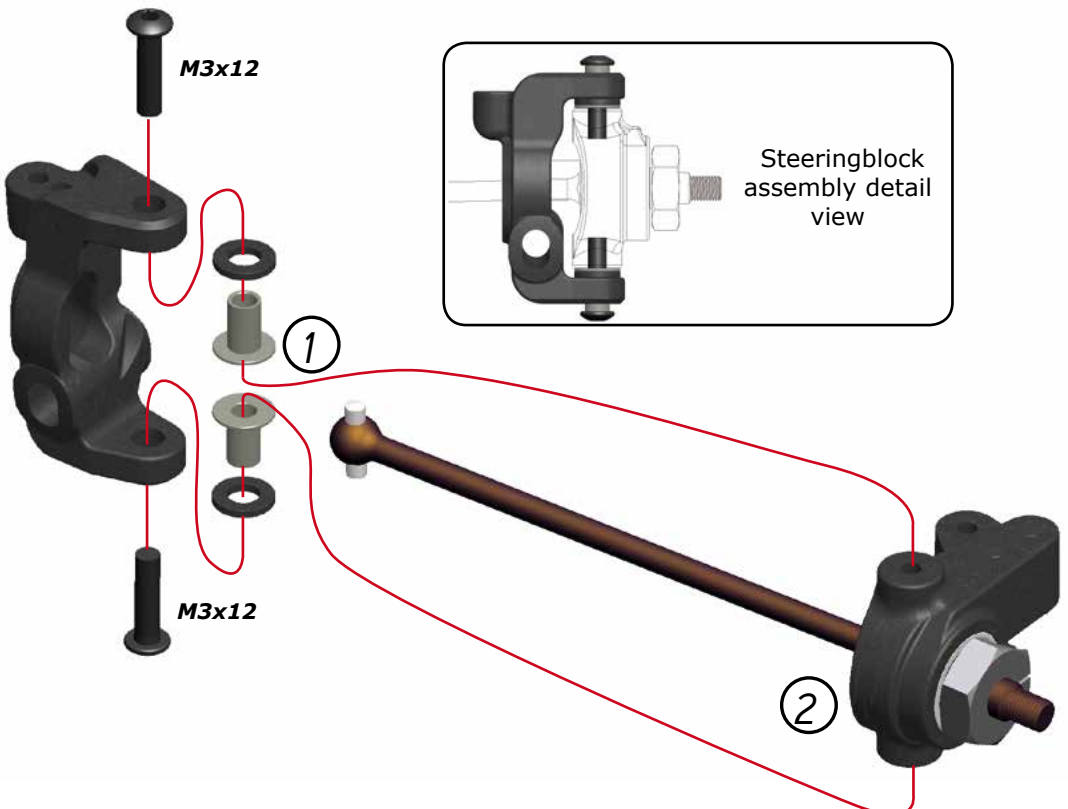
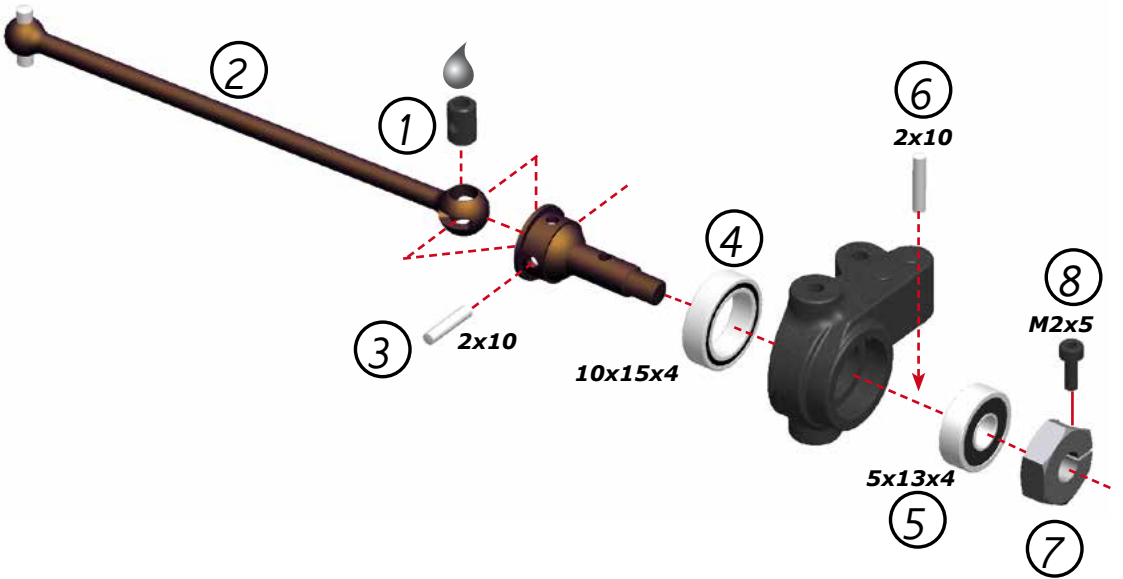
NOTE
There are three types of steering arms.

MORE ACKERMAN ← → LESS ACKERMAN

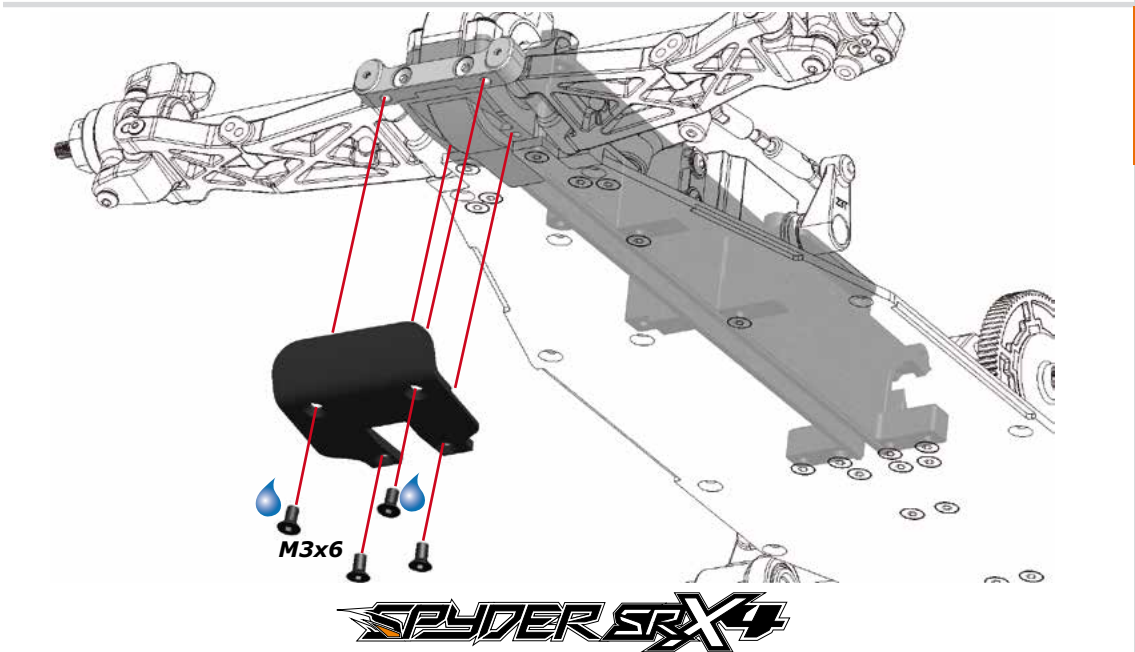
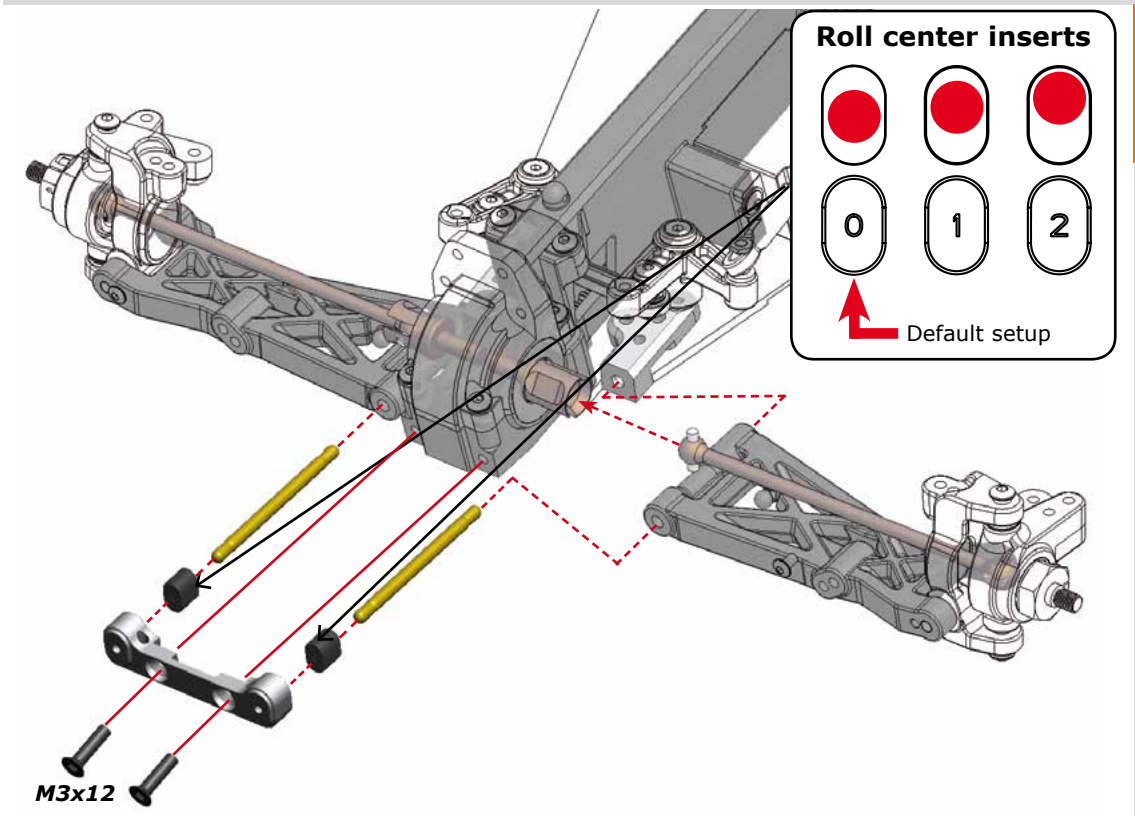
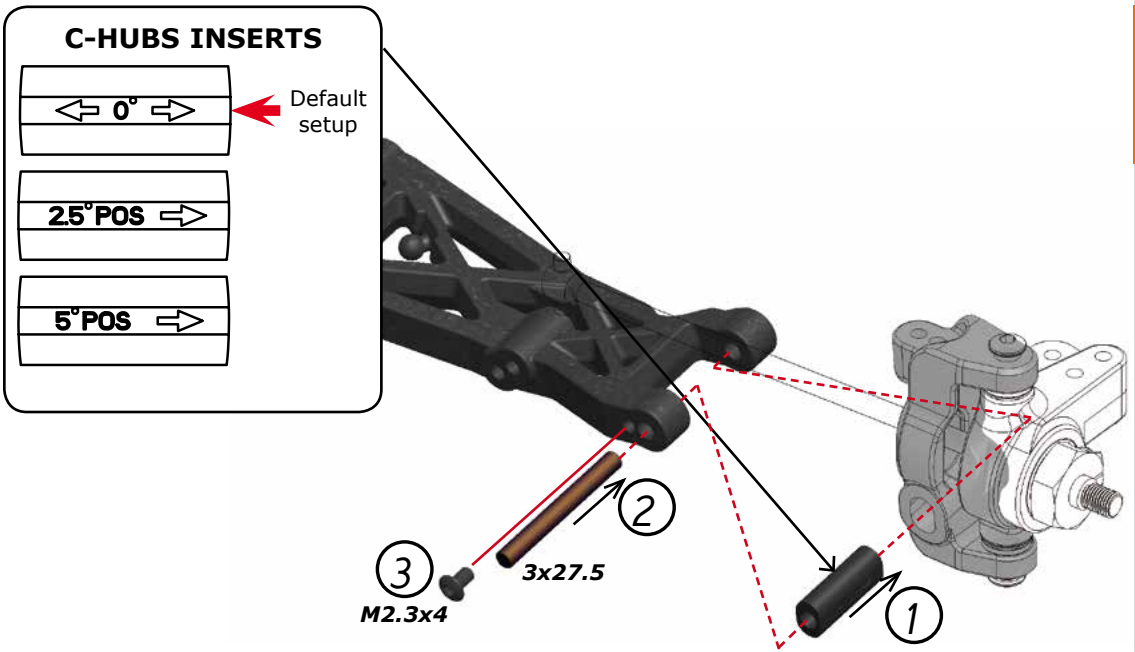
1 2 3

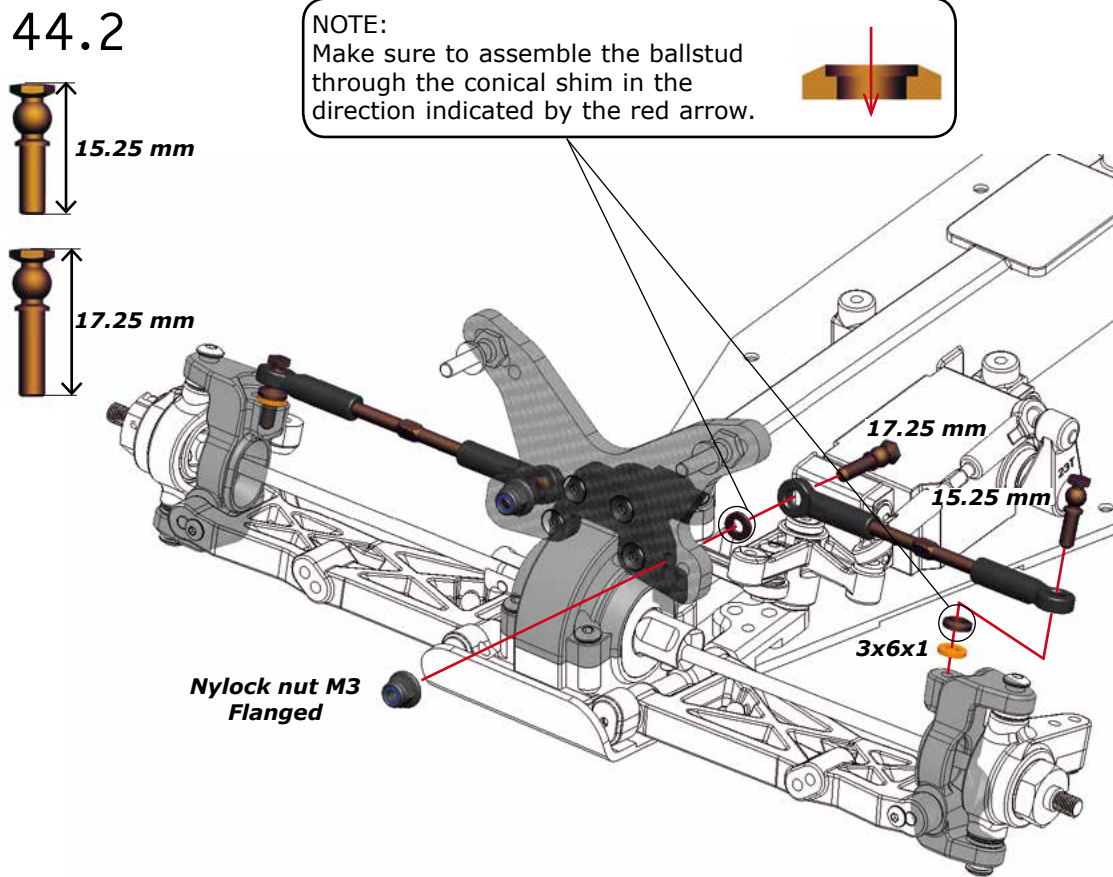
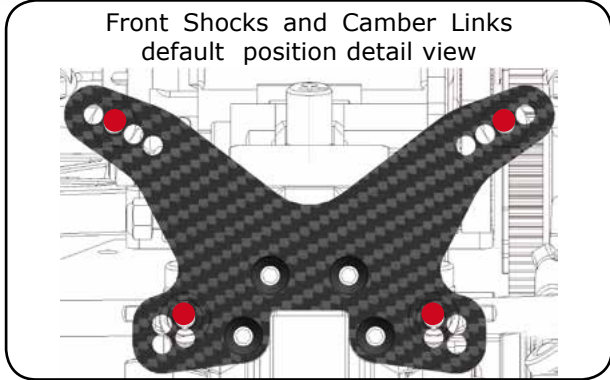
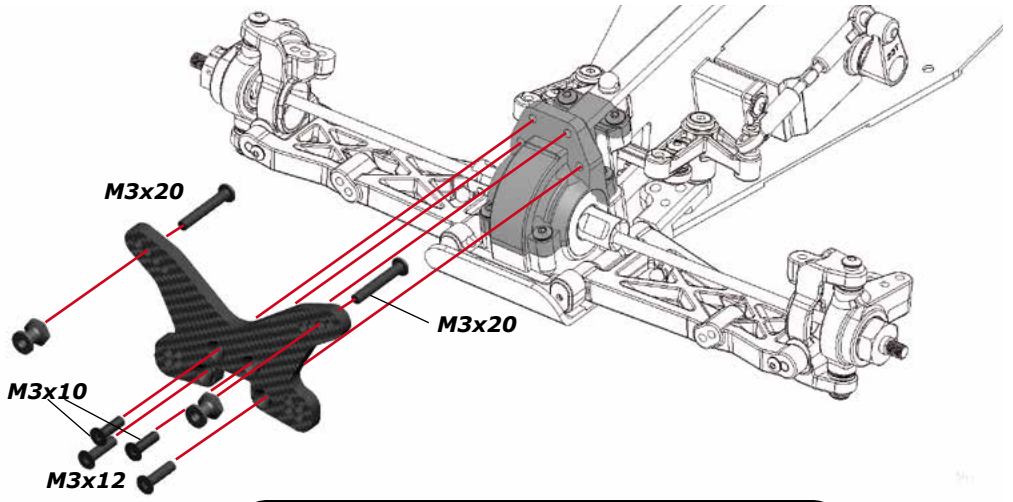
Default setup

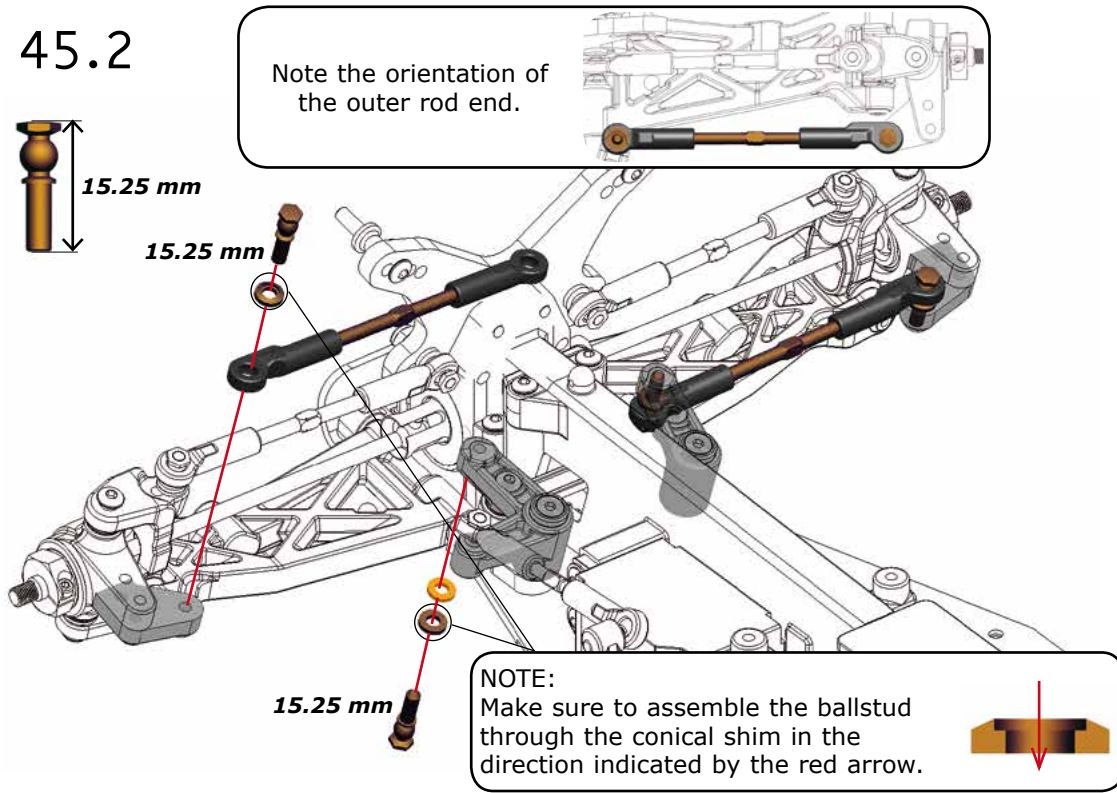
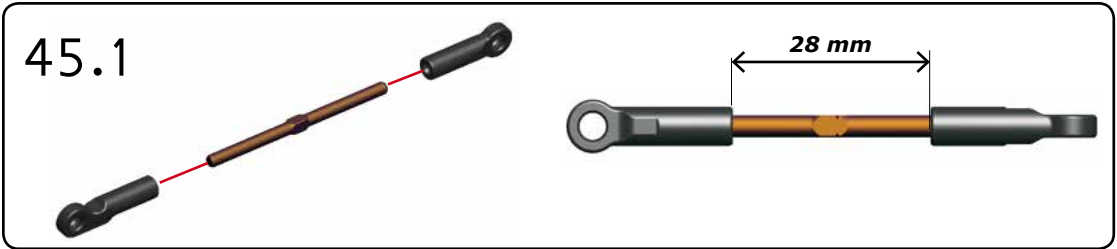
38.2



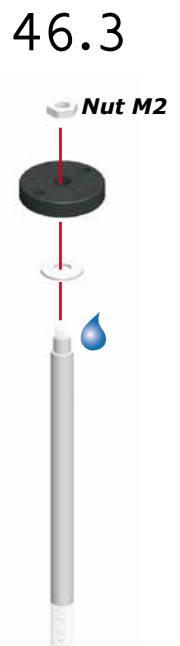
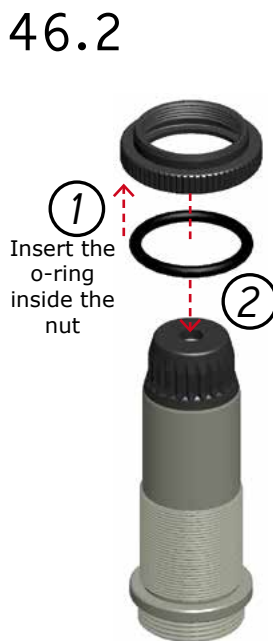
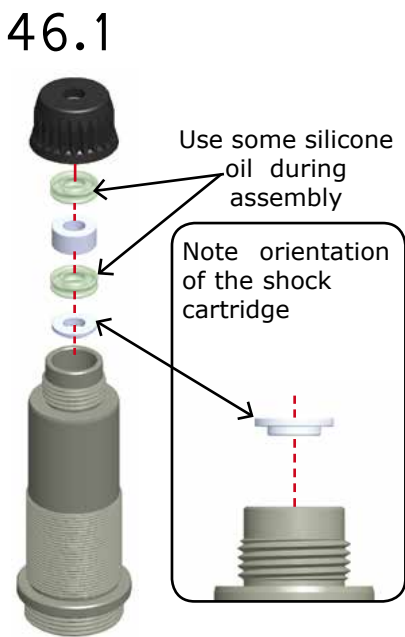
Steeringblock assembly detail view



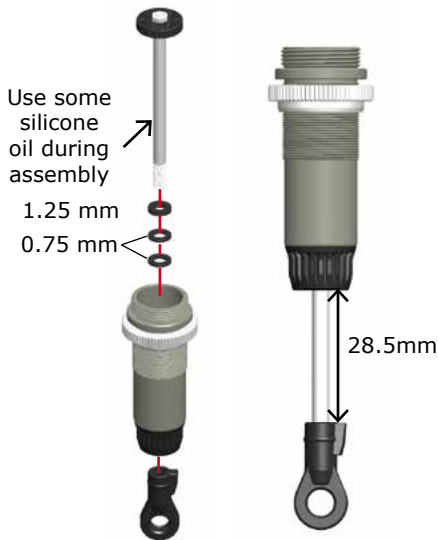




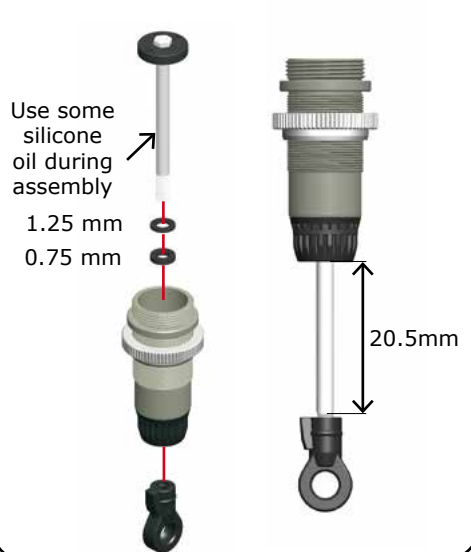
SHOCK ABSORBERS ASSEMBLY



46.4 REAR SHOCKS



46.4 FRONT SHOCKS



46.5

Fill the shockbody with silicone oil fully.

Move the shockrod up and down slowly to let airbubbles escape



46.6

Apply the gasket and cap and close fully.

Bleed: push the shockrod all the way in slowly, to allow excessive oil to escape.



46.7

With shockrod fully in, mount the o-ring and screw.

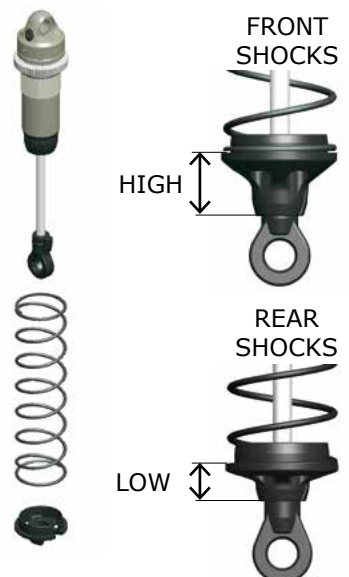
M2.3x4



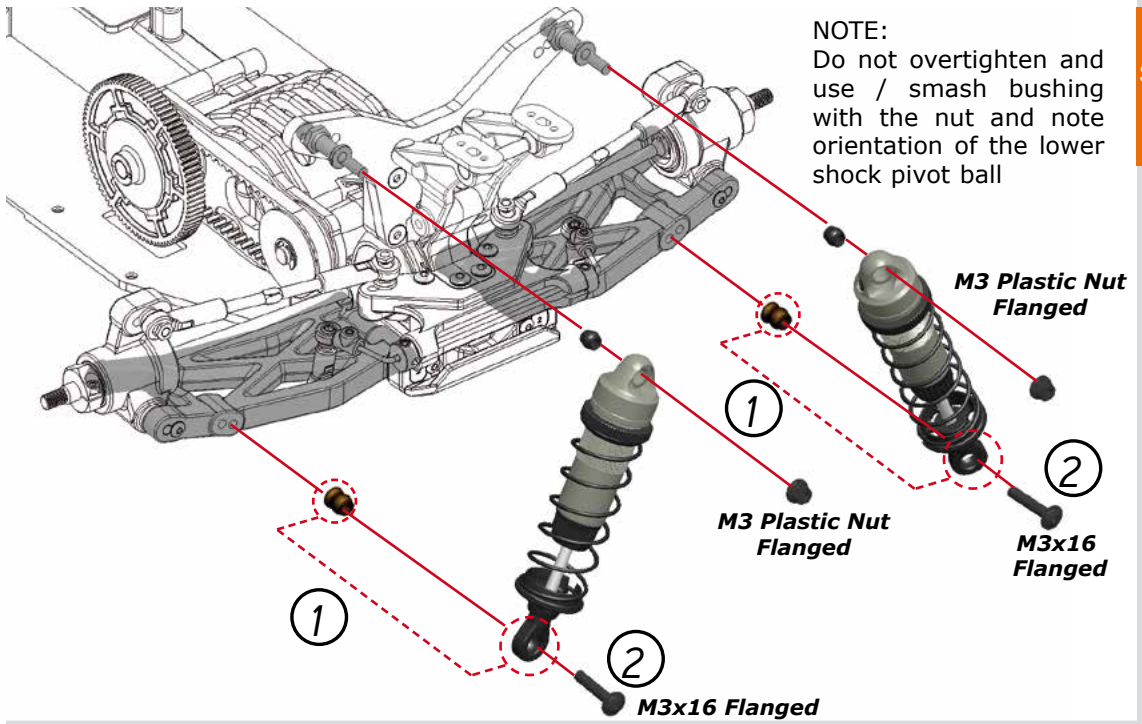
46.8

Assemble the spring and spring-cup (align correctly) to complete the shock.

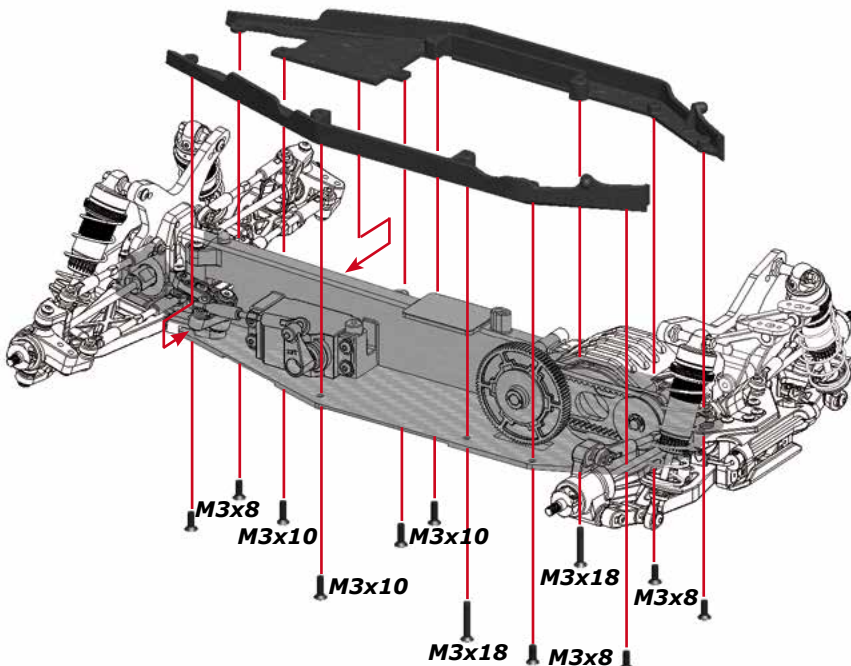
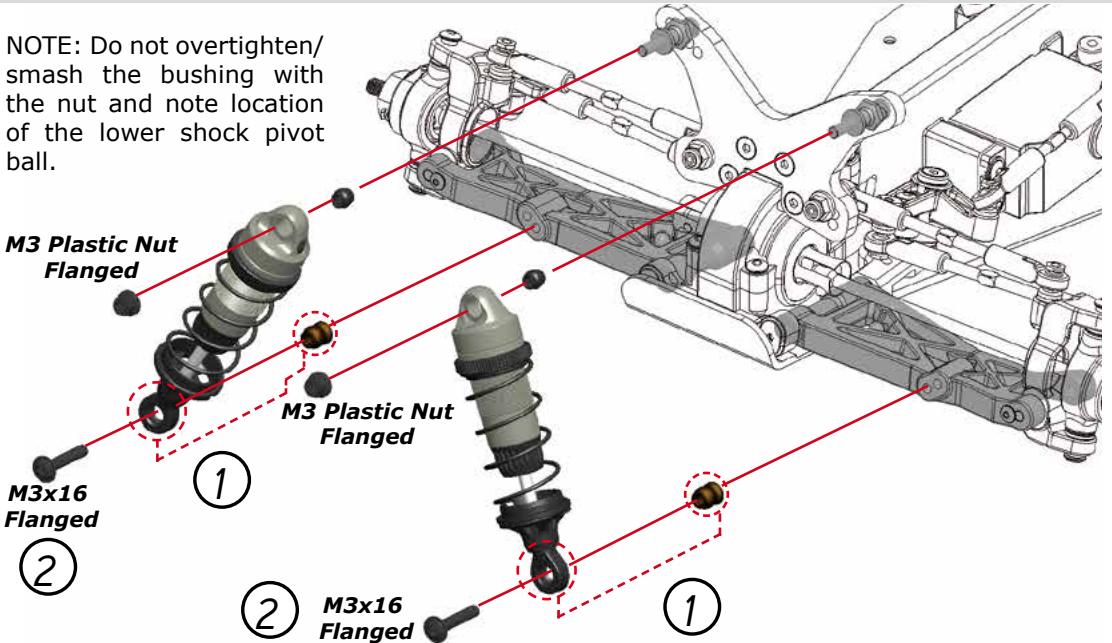
Assemble the SHORT springs in the front shocks and the LONG springs in the rear shocks.



NOTE:
Do not overtighten and
use / smash bushing
with the nut and note
orientation of the lower
shock pivot ball



NOTE: Do not overtighten/
smash the bushing with
the nut and note location
of the lower shock pivot
ball.

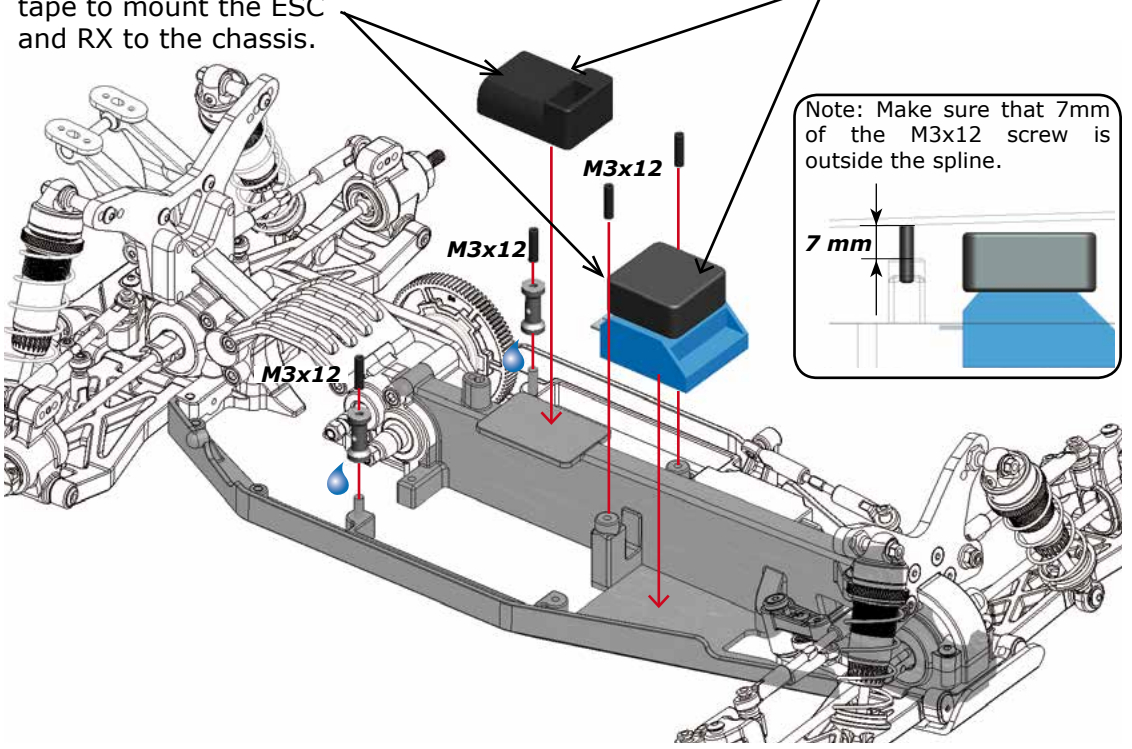


ELECTRONICS ASSEMBLY

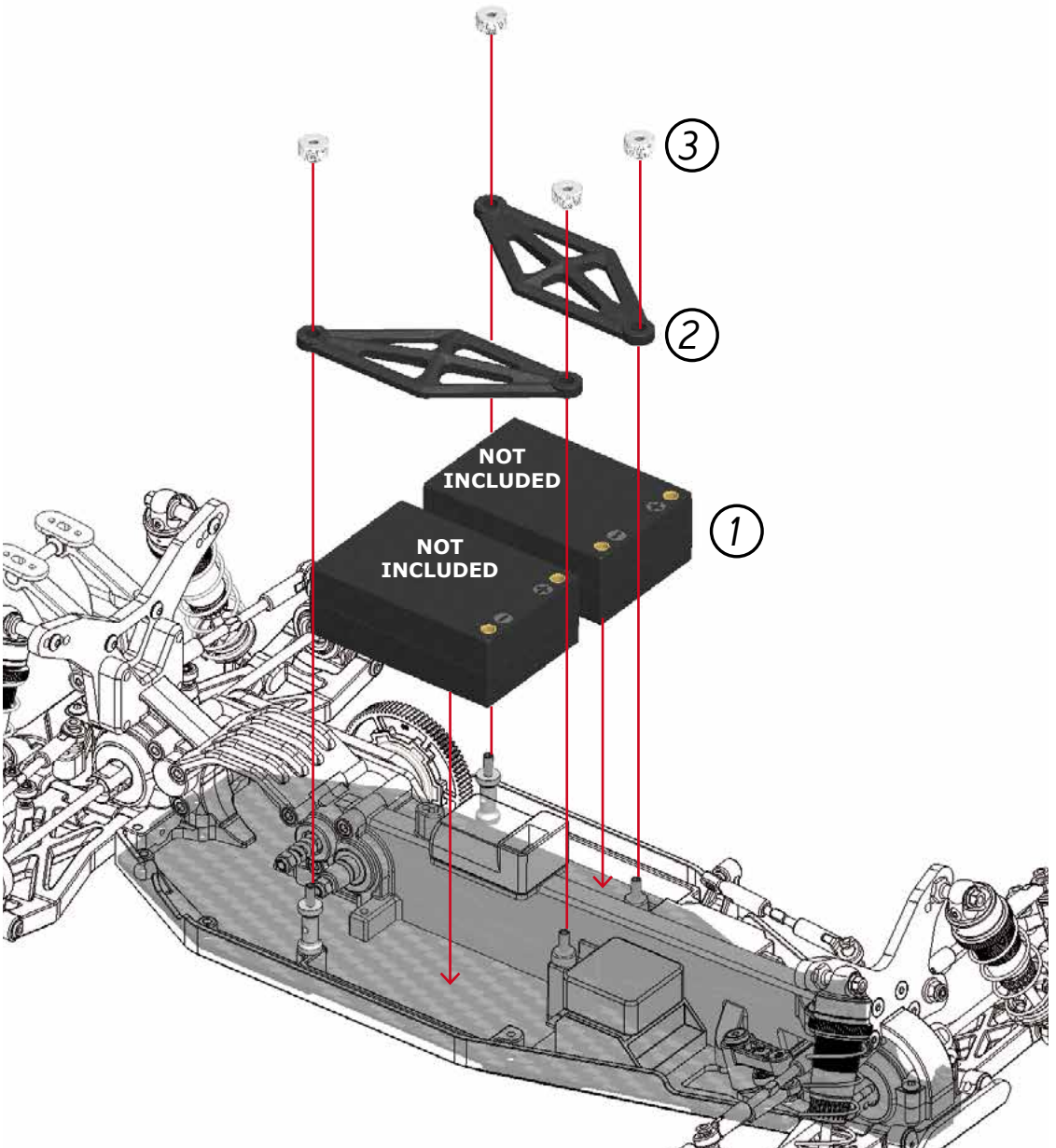
STEP
50

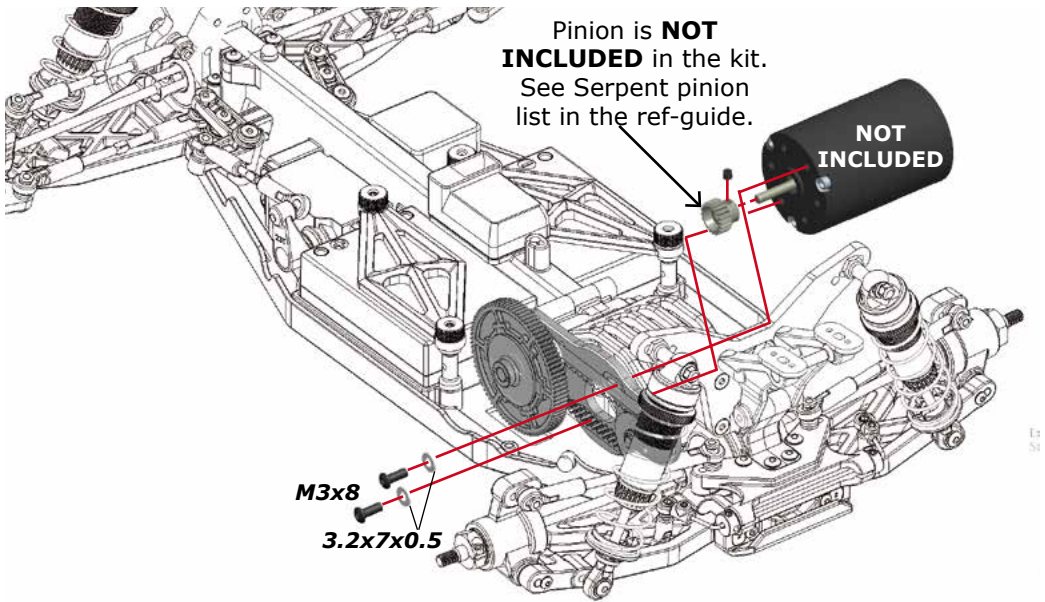
Tip: Use double sided tape to mount the ESC and RX to the chassis.

NOT INCLUDED

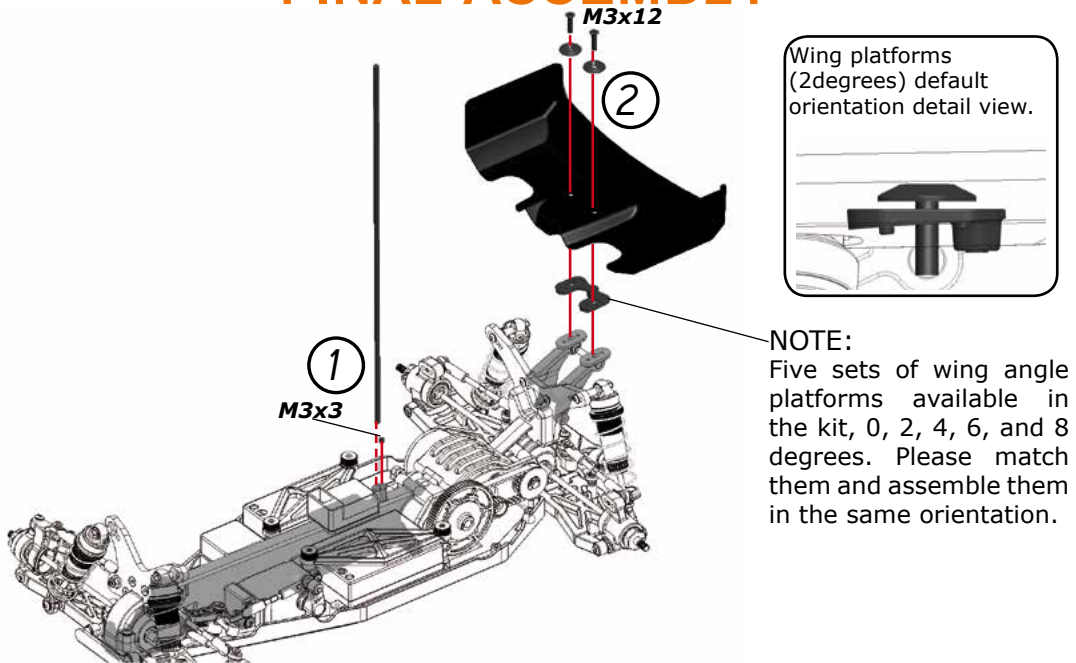


STEP
51



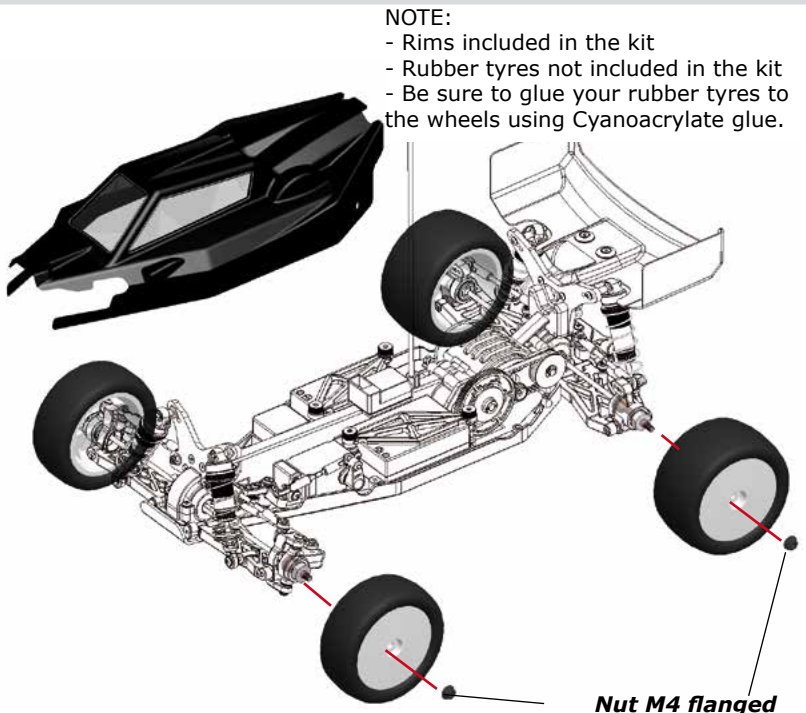


FINAL ASSEMBLY



BODYSHELL:

- 1) Apply the masking sheet provided and paint the body on the inside.
- 2) Cut the body along the provided cuttinglines on the body for a perfect fit. Same for the body mounting holes.
- 3) Remove the body protection film on the outside of the body.
- 4) Apply the provided Serpent and Spyder decals, and mount the body on the bodyposts, with the provided bodyclips.



SPYDER SRX4

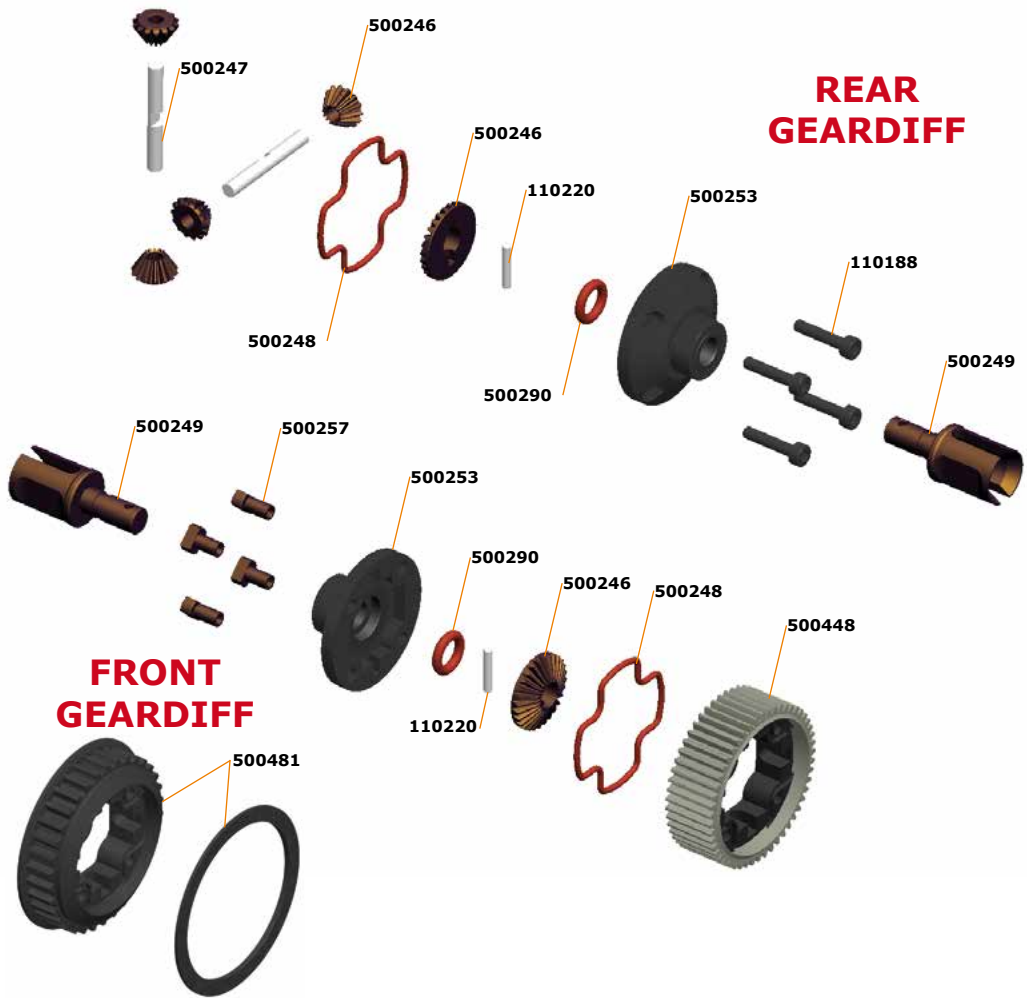
REF GUIDE:

EXPLODED VIEWS and PARTS-LIST

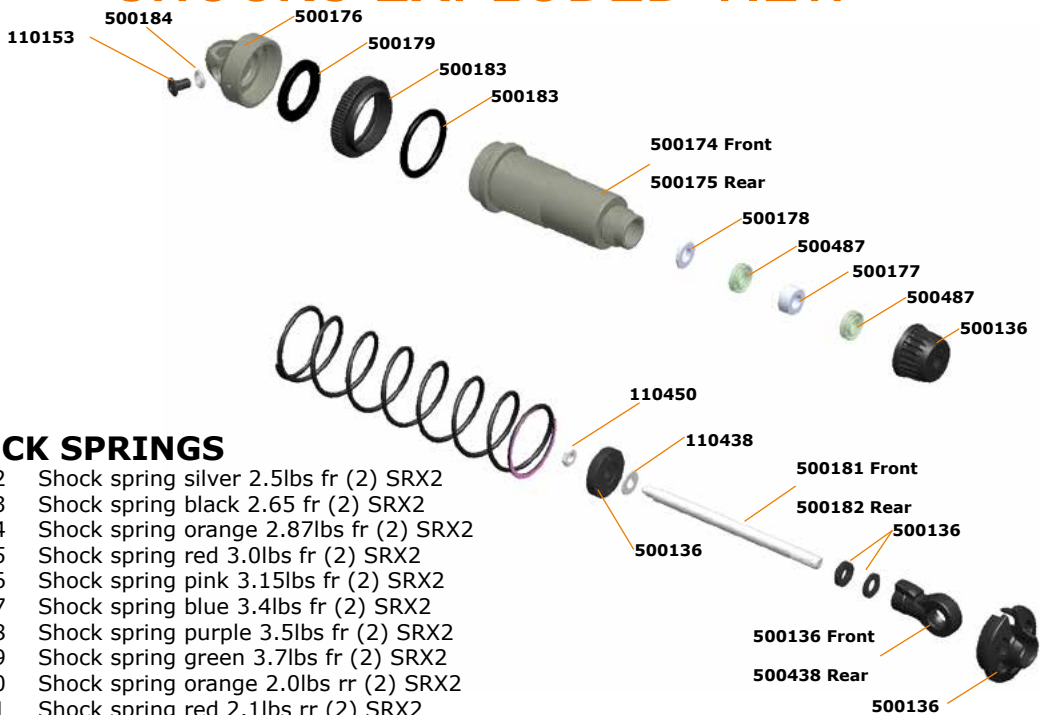
Contents

FRONT & REAR GEAR-DIFF EXPLODED VIEW	25
SHOCKS EXPLODED VIEW	25
MID TRANSMISSION EXPLODED VIEW	26
TRANSMISSION EXPLODED VIEW	27
REAR ASSEMBLY EXPLODED VIEW	28
FRONT ASSEMBLY EXPLODED VIEW	29
FINAL ASSEMBLY I EXPLODED VIEW	30
FINAL ASSEMBLY II EXPLODED VIEW	31
OPTIONALS AND MERCHANDISING	32

FRONT & REAR GEAR-DIFF EXPLODED VIEW



SHOCKS EXPLODED VIEW



SHOCK SPRINGS

- 500222 Shock spring silver 2.5lbs fr (2) SRX2
- 500223 Shock spring black 2.65 fr (2) SRX2
- 500224 Shock spring orange 2.87lbs fr (2) SRX2
- 500225 Shock spring red 3.0lbs fr (2) SRX2
- 500226 Shock spring pink 3.15lbs fr (2) SRX2
- 500227 Shock spring blue 3.4lbs fr (2) SRX2
- 500228 Shock spring purple 3.5lbs fr (2) SRX2
- 500229 Shock spring green 3.7lbs fr (2) SRX2
- 500230 Shock spring orange 2.0lbs rr (2) SRX2
- 500231 Shock spring red 2.1lbs rr (2) SRX2
- 500232 Shock spring pink 2.2lbs rr (2) SRX3
- 500233 Shock spring blue 2.3lbs rr (2) SRX2
- 500234 Shock spring purple 2.4lbs rr (2) SRX2
- 500235 Shock spring green 2.5lbs rr (2) SRX2
- 500354 Shock spring orange 1,8lbs rr astro (2) SRX2
- 500355 Shock spring red 1,9lbs rr astro (2) SRX2
- 500356 Shock spring pink 2,0lbs rr astro (2) SRX2
- 500357 Shock spring blue 2,1lbs rr astro (2) SRX2
- 500358 Shock spring purple 2,2lbs rr astro (2) SRX2
- 500359 Shock spring green 2,3lbs rr astro (2) SRX2



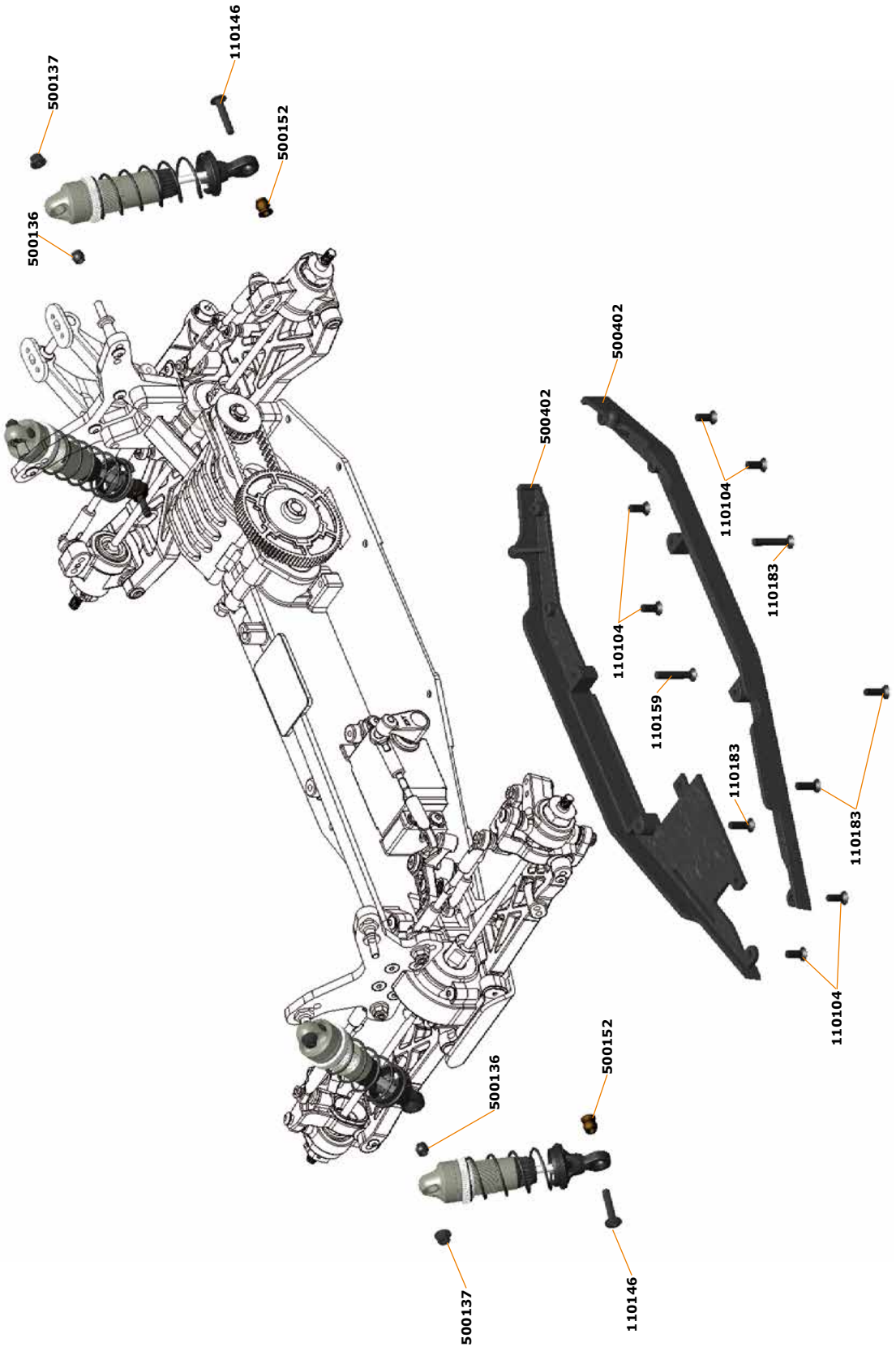
MID TRANSMISSION EXPLODED VIEW

SPURGEAR

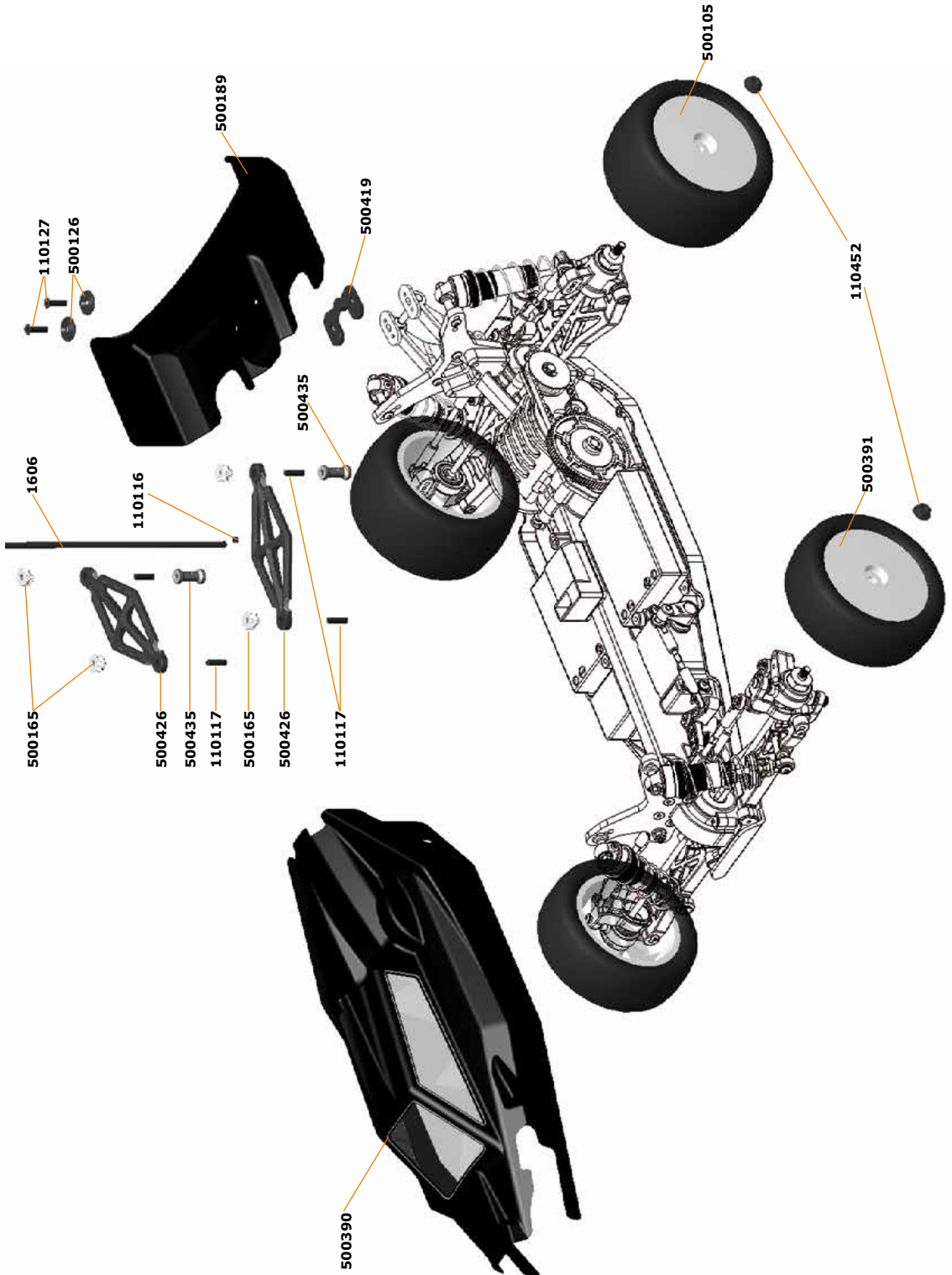
- 500213 Spur gear 70T SRX2
- 500214 Spur gear 72T SRX2
- 500215 Spur gear 76T SRX2
- 500216 Spur gear 78T SRX2
- 500217 Spur gear 80T SRX2
- 500218 Spur gear 82T SRX2
- 500219 Spur gear 84T SRX2
- 500220 Spur gear 86T SRX2
- 500221 Spur gear 88T SRX2



FINAL ASSEMBLY | EXPLODED VIEW



FINAL ASSEMBLY II EXPLODED VIEW



OPTIONALS AND MERCHANDISING

Part no Description
500010 Serpent Spyder Buggy SRX-4 4wd 1/10

DECALS

1886 Decal Serpent black/white 1/10 (2)
1888 Decal Serpent chrome 1/10 (2)
500389 Decal sheet SRX4 black/white (2)

RADIO INSTALLATION / BATTERY

1606 Antenna rod black (2)
500463 Battery plate carbon (2) SRX4

SERVO SAVER AND STEERING

500462 Bellcrank alu L+R SRX4
500464 Bellcrank post alu (2) SRX4

SHOCK ABSORBERS

500180 Shock membrane (4) SRX2
500199 Shock top bushing delrin (4) SRX2
500201 Shock shaft fr TiN coated (2) SRX2
500202 Shock shaft rr TiN coated (2) SRX2
500238 Shock piston conical 2 holes (4) SRX2
500239 Shock piston conical 3 holes (4) SRX2
500240 Shock piston conical 4 holes (4) SRX2
500450 Shock bottom cap alu (4) SRX
500488 Shock piston square machined 2-hole 1.3 (4)
500489 Shock piston square machined 3-hole 1.2 (4)
500490 Shock piston square machined 4-hole 1.1 (4)

SPRINGS

500222 Shock spring silver 2,5lbs fr (2) SRX2
500223 Shock spring black 2,65 fr (2) SRX2
500224 Shock spring orange 2,87lbs fr (2) SRX2
500225 Shock spring red 3,0lbs fr (2) SRX2
500226 Shock spring pink 3,15lbs fr (2) SRX2
500227 Shock spring blue 3,4lbs fr (2) SRX2
500228 Shock spring purple 3,5lbs fr (2) SRX2
500229 Shock spring green 3,7lbs fr (2) SRX2
500230 Shock spring orange 2,0lbs rr (2) SRX2
500231 Shock spring red 2,1lbs rr (2) SRX2
500232 Shock spring pink 2,2lbs rr (2) SRX3
500233 Shock spring blue 2,3lbs rr (2) SRX2
500234 Shock spring purple 2,4lbs rr (2) SRX2
500235 Shock spring green 2,5lbs rr (2) SRX2
500354 Shock spring orange 1,8lbs rr astro (2) SRX2
500355 Shock spring red 1,9lbs rr astro (2) SRX2
500356 Shock spring pink 2,0lbs rr astro (2) SRX2
500357 Shock spring blue 2,1lbs rr astro (2) SRX2
500358 Shock spring purple 2,2lbs rr astro (2) SRX2
500359 Shock spring green 2,3lbs rr astro (2) SRX2

FRONT SECTION

500261 Pivot pin rr inner TiN coated (2) SRX2 RM
500211 Wheelhexagon +0.75mm offset (2)
500392 1/10 buggy rim fr 4wd yellow (2)
500397 1/10 buggy rim fr 4wd 61mm white (2)
500398 1/10 buggy rim fr 4wd 61mm yellow (2)
500455 Antiroll bar fr 1.2 SRX4
500456 Antiroll bar fr 1.3 SRX4
500457 Antiroll bar fr 1.4 SRX4
500458 Antiroll bar mount fr SRX4
500470 Antirollbar adaptor / balljoint fr (2+2) SRX4
500473 Wheelhexagon fr EOS (2) SRX4
500474 Wheelaxle fr EOS (2) SRX4

MIDDLE SECTION

500461 Chassis alu SRX4
500463 Battery plate carbon (2) SRX4

REAR SECTION

500106 1/10 buggy rim rr yellow (2)
500205 Antiroll bar rr 1.1 SRX2
500206 Antiroll bar rr 1.3 SRX2
500207 Antiroll bar rr 1.5 SRX2
500251 Rear wing 6.0" SRX2
500252 Rear wing 7.0" SRX2
500255 Suspension insert rr 3deg alu (2) SRX2
500258 Antirollbar balljoints (2+2) SRX2
500262 Pivot pin fr inner / rr outer TiN coated (2) SRX2
500281 Antiroll bar set rr SRX2 MM
500286 Bumper rear brass SRX2 MM
500350 Antirollbar mount RR SRX2 MM
500375 Rear wing 7" (2) SRX
500393 1/10 buggy rim rr 61m white (2)
500394 1/10 buggy rim rr 61mm yellow (2)
500475 Antiroll bar rr 1.7 SRX

TRANSMISION

411069 Differential balls steel 1/8" (12)
411107 Diff balls. 1/8 ceramic (12)
500167 Diff pully balldiff 51T (1) SRX2
500168 Diff ring balldiff (2) SRX2
500169 Balldiff outdrive male SRX2
500170 Balldiff outdrive female SRX2
500171 Balldiff spring (2) SRX2
500172 Balldiff bolt (2) SRX2
500173 Balldiff thrustbearing SRX2
500186 Balldiff set SRX2
500187 Balldiff T-nut (2) SRX2
500242 Slipper plates vented alu (3) SRX2
500254 Geardiff housing 51T SRX2
500256 Thrustbearing carbide balldiff SRX2
500259 Differential balls carbide 1/8" (12)
500376 Slide drive set SRX
500378 Slide drive driveshaft SRX (2)
500380 Balldiff outdrive slide drive male
500381 Balldiff outdrive slide drive female
500382 Diff sliders (2)
500388 Geardiff outdrive slide drive (2)
500432 Slipper spacer SRX4
500441 Slipper shaft pulley 20T SRX4
500442 Top shaft pulley 20T SRX4
500447 Slipper shaft pulley 24T SRX4
500452 Clicker spring soft SRX4
500453 Clicker spring medium SRX4
500454 Clicker spring hard SRX5
500459 Oneway pulley 34T fr SRX4
500460 Balldiff pulley 34T fr SRX4
500465 Overdrive 34T gear mid SRX4
500466 Overdrive Slippershaft 21T SRX4
500467 Full time 4wd 20T slipper shaft SRX4
500468 Front oneway axle SRX4
500469 Front oneway outrdrives (2) SRX4
500470 Antirollbar adaptor / balljoint fr (2+2) SRX4
500471 Full time 4wd 20T slipper pulley SRX4
500472 Front oneway axle set SRX4
500477 Solid slipper plate inner SRX4
500478 Belt side 45S3M174 SRX4
500479 Gear mid 30T SRX4
500480 Clicker SRX4
500482 Slipper trust bearing SRX4
500483 Slipper set SRX4
600116 O-ring tank (4)

BODY AND WING

500251 Rear wing 6.0" SRX2
500252 Rear wing 7.0" SRX2
500375 Rear wing 7" (2) SRX

SPURGEAR

500213	Spur gear 70T SRX2
500214	Spur gear 72T SRX2
500215	Spur gear 76T SRX2
500216	Spur gear 78T SRX2
500217	Spur gear 80T SRX2
500218	Spur gear 82T SRX2
500219	Spur gear 84T SRX2
500220	Spur gear 86T SRX2
500221	Spur gear 88T SRX2

PINIONS

120156	Motor-pinion alu hard	48P / 18T
120157	Motor-pinion alu hard	48P / 19T
120158	Motor-pinion alu hard	48P / 20T
120159	Motor-pinion alu hard	48P / 21T
120160	Motor-pinion alu hard	48P / 22T
120161	Motor-pinion alu hard	48P / 23T
120162	Motor-pinion alu hard	48P / 24T
120163	Motor-pinion alu hard	48P / 25T
120164	Motor-pinion alu hard	48P / 26T
120165	Motor-pinion alu hard	48P / 27T
120166	Motor-pinion alu hard	48P / 28T
120167	Motor-pinion alu hard	48P / 29T
120168	Motor-pinion alu hard	48P / 30T

TOOLS

190500	Pit-caddy
190501	Tool-bag
190502	Pit-bag medium. 3 drawers
190504	Ballcup tool
190506	Toolset for onroad (17pcs) with tools bag
190507	Toolset for ep (16pcs) with tools bag
190508	Toolset for offroad (20pcs) with tools bag
190509	Allen wrench 1.5 x 120mm
190510	Allen wrench 2.0 x 120mm
190511	Allen wrench 2.5 x 120mm
190512	Allen wrench 3.0 x 120mm
190513	Ball driver hex wrench 2.0 x 120mm
190514	Ball driver hex wrench 2.5 x 120mm
190515	Ball driver hex wrench 3.0 x 120mm
190516	Tool tip allen wrench 1.5 x 120mm
190517	Tool tip allen wrench 2.0 x 120mm
190518	Tool tip allen wrench 2.5 x 120mm
190519	Tool tip allen wrench 3.0 x 120mm
190520	Tool tip ball driver hex wrench 2.0 x 120mm
190521	Tool tip ball driver hex wrench 2.5 x 120mm
190522	Tool tip ball driver hex wrench 3.0 x 120mm
190523	Turnbuckle wrench 3mm
190524	Turnbuckle wrench 4mm
190525	Turnbuckle wrench 5mm
190526	Flat head screwdriver 3.0 x 150mm
190527	Flat head screwdriver 4.0 x 150mm
190528	Phillips screwdriver 2.0 x 45mm
190529	Phillips screwdriver 3.5 x 120mm
190530	Phillips screwdriver 5.8 x 120mm
190539	Nut driver 4.5 x 100mm
190531	Nut driver 5.0 x 100mm
190532	Nut driver 5.5 x 100mm
190533	Nut driver 7.0 x 100mm
190534	Reamer with end cap for lexan body

MERCHANDISING

1896	Cap serpent black-orange
190172	Winter jacket Serpent black-orange hooded (M)
190173	Winter jacket Serpent black-orange hooded (L)
190174	Winter jacket Serpent black-orange hooded (XL)
190175	Winter jacket Serpent black-orange hooded (2XL)
190176	Winter jacket Serpent black-orange hooded (3XL)
190208	Winter jacket Serpent black-orange hooded (4XL)
190156	Polo shirt Serpent black (S)

190157	Polo shirt Serpent black (M)
190158	Polo shirt Serpent black (L)
190159	Polo shirt Serpent black (XL)
190160	Polo shirt Serpent black (XXL)
190161	Polo shirt Serpent black (XXXL)
190182	T-shirt Serpent Splash white (S)
190183	T-shirt Serpent Splash white (M)
190184	T-shirt Serpent Splash white (L)
190185	T-shirt Serpent Splash white (XL)
190186	T-shirt Serpent Splash white (XXL)
190187	T-shirt Serpent Splash white (XXXL)
190188	T-shirt Serpent Splash orange (S)
190189	T-shirt Serpent Splash orange (M)
190190	T-shirt Serpent Splash orange (L)
190191	T-shirt Serpent Splash orange (XL)
190192	T-shirt Serpent Splash orange (XXL)
190193	T-shirt Serpent Splash orange (XXXL)
190194	T-shirt Serpent Splash black (S)
190195	T-shirt Serpent Splash black (M)
190196	T-shirt Serpent Splash black (L)
190197	T-shirt Serpent Splash black (XL)
190198	T-shirt Serpent Splash black (XXL)
190199	T-shirt Serpent Splash black (XXXL)
190201	Hoody sweater Serpent black-zip (S)
190202	Hoody sweater Serpent black-zip (M)
190203	Hoody sweater Serpent black-zip (L)
190204	Hoody sweater Serpent black-zip (XL)
190205	Hoody sweater Serpent black-zip (2XL)
190206	Hoody sweater Serpent black-zip (3XL)
190207	Hoody sweater Serpent black-zip (4XL)

SPYDER SRX4



www.serpent.com - info@serpent.com



#80780 Manual / ref guide SRX4 V1